

**YANMAR
DIESEL
ENGINE**

PARTS CATALOG

Pub. No. 000Y00R3981

**L70AE
L75AE
L90AE
L100AE**

MODEL

**L40AE
L48AE
L60AE**

No.	Designation	Explanation
①	Location No.	Location No. of a microfiche which contains this list. The parenthesized refers to Location No. of the corresponding section index.
②	Parts Catalog No.	Serial No. of every Parts Catalog.
③	Group No.	Running No. given per group of related parts.
④	Group Name	Designation given per group of related parts.
⑤	Date of Processing	Date on which this list for Parts Catalog is printed out.
⑥		Model name of a product (of which parts are) mentioned in the pertinent Parts Catalog. A parenthesized symbol corresponds to a parenthesized symbol appearing under the "Q'TY" column of Ref. No.12.

82.02.12

(1) シリンダブロック & マインフレーム
CYLINDER & BEARING, MAIN

⑥ (A)=6PH-HT (D)=
(B)= (E)=
(C)= (F)=

REF.	LEV.	PART NO.	DESCRIPTION	Q'TY	P	U	A	R
				(A)(B)(C)(D)(E)(F)				
1	.	724611-01560	シリンダブロック ASSY.	1				
I 1-1	.	724611-01561 (A=E000165)	シリンダブロック ASSY.	1				N
2	..	X 124610-01000	ブロック COMP.	1				N
I 2-1	..	X 124610-01001 (A=E000165)	ブロック COMP.	1				N
3	...	X 124610-01010	シリンダブロック	1				N (A)
I 3-1	...	124610-01011 (A=E000165)	シリンダブロック	1				N (A)
4	...	27241-160000	PLUG 16	1				
5	...	27241-400000	PLUG 40	6				
6	...	135400-01790	PLUG M10X1.5	2				
7	...	23414-100000	GASKET 10	2				
8	..	23871-010000	PLUG PT1/8	8				
9	..							10

⑦	Ref. No.	Number to relate a number appearing in illustration (given opposite to the list) with corresponding Part No.
⑧	Level	Assembly-component relation (level) of an assembly part expressed by a number of dots (.).
⑨	Order Division	A part of which Part Number is prefixed with alphabet X shall not be sold. In this case, please place your order of this part and its related parts by parental Part Number —. Complete Part Number or Assy. Part Number.
⑩	Part No.	Part Number specified for every part.
⑪	Part Name	Description of a part, mainly Part Name but may include dimensions.
⑫	Quantity (Q'ty)	Quantity used of parts per Ref. No.


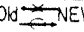

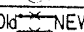

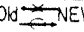

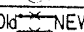

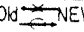

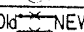
82.02.12

(1) シリンダブロック & マインフレーム
CYLINDER & BEARING, MAIN

⑥ (A)=6PH-HT (D)=
(B)= (E)=
(C)= (F)=

REF.	LEV.	PART NO.	DESCRIPTION	Q'TY	P	U	A	R
				(A)(B)(C)(D)(E)(F)				
1	.	724611-01560	シリンダブロック ASSY.	1				
I 1-1	.	724611-01561 (A=E000165)	シリンダブロック ASSY.	1				N
2	..	X 124610-01000	ブロック COMP.	1				N
I 2-1	..	X 124610-01001 (A=E000165)	ブロック COMP.	1				N
3	...	X 124610-01010	シリンダブロック	1				N (A)
I 3-1	...	124610-01011 (A=E000165)	シリンダブロック	1				N (A)
4	...	27241-160000	PLUG 16	1				
5	...	27241-400000	PLUG 40	6				
6	...	135400-01790	PLUG M10X1.5	2				
7	...	23414-100000	GASKET 10	2				
8	..	23871-010000	PLUG PT1/8	8				
9	..							10

(Example) As for Ref. No. 1-1 724611-01561.
this part is used in the 6PH-HT.
! : Quantity used of parts

No.	Designation	Explanation																											
⑬	Interchangeability Division	In the case where a part change took place, one of the following interchangeability symbols is indicated for that part. <table border="1" style="margin: 10px auto;"> <thead> <tr> <th>Symbol</th> <th>Interchangeability</th> <th>Contents note</th> </tr> </thead> <tbody> <tr> <td>N</td> <td>Old  NEW</td> <td>New Part is interchangeable for Old Part but not interchangeable conversely.</td> </tr> <tr> <td>Q</td> <td>Old  NEW</td> <td>New Part is not interchangeable for Old Part but interchangeable conversely.</td> </tr> <tr> <td>R</td> <td>Old  NEW</td> <td>New Part is interchangeable for Old Part and vice versa.</td> </tr> <tr> <td>S</td> <td>Old  NEW</td> <td>New Part is not interchangeable for Old Part and vice versa.</td> </tr> <tr> <td>W</td> <td></td> <td>Part newly added.</td> </tr> <tr> <td>Z</td> <td></td> <td>Part discontinued.</td> </tr> <tr> <td>F</td> <td></td> <td>Not interchangeable by single part but interchangeable by set of the related parts.</td> </tr> <tr> <td>K</td> <td></td> <td>Changed only in quantity used.</td> </tr> </tbody> </table>	Symbol	Interchangeability	Contents note	N	Old  NEW	New Part is interchangeable for Old Part but not interchangeable conversely.	Q	Old  NEW	New Part is not interchangeable for Old Part but interchangeable conversely.	R	Old  NEW	New Part is interchangeable for Old Part and vice versa.	S	Old  NEW	New Part is not interchangeable for Old Part and vice versa.	W		Part newly added.	Z		Part discontinued.	F		Not interchangeable by single part but interchangeable by set of the related parts.	K		Changed only in quantity used.
Symbol	Interchangeability	Contents note																											
N	Old  NEW	New Part is interchangeable for Old Part but not interchangeable conversely.																											
Q	Old  NEW	New Part is not interchangeable for Old Part but interchangeable conversely.																											
R	Old  NEW	New Part is interchangeable for Old Part and vice versa.																											
S	Old  NEW	New Part is not interchangeable for Old Part and vice versa.																											
W		Part newly added.																											
Z		Part discontinued.																											
F		Not interchangeable by single part but interchangeable by set of the related parts.																											
K		Changed only in quantity used.																											

⑭	Unit Sales Division	Unit Sales Quantity (Sales Lot) of unit sales parts and/or unit sales recommended parts. [Example] Please place your order of such a part for which "10" is given under the column "P/U" by a multiple of Sales Lot being 10 pcs.
---	---------------------	--

⑮	Design Change Division	A symbol is given under the column "A" for such a part for which an extensive design change has been made, and the nature of that design change is explained as identified by the identical symbol given under the heading "REMARKS".
---	------------------------	---

⑯ ⑰	Remarks Division	A Symbol is given under the column "R" (Remarks) for such a part for which a supplementary explanation is needed. And an explanatory sentence headed by the identical symbol is given under the heading "Remrks" (No.⑳).
--------	------------------	---

REF.	LEV.	PART NO.	DESCRIPTION	QTY	P/U	A	R
82.02.12							
1402 14011 Y00G1020			(1) CYLINDER & BEARING, MAIN	(A)=6PH-HT (B)= (C)=	(D)= (E)= (F)=		
1	.	724611-01580	ASSY. CYLINDER BLOCK ASSY.	1			
I 1-1	.	724611-01581 (A=E000165)	ASSY. CYLINDER BLOCK ASSY.	1			N
2	..	X 124610-01000	COMP. BLOCK COMP.	1			
I 2-1	..	X 124610-01001 (A=E000165)	COMP. BLOCK COMP.	1			N
3	...	X 124610-01010	CYLINDER BLOCK	1			
I 3-1	...	124610-01011 (A=E000165)	CYLINDER BLOCK	1			N (A)
4	...	27241-160000	PLUG 16	1			
5	...	27241-400000	PLUG 40	6			
6	...	135400-01790	PLUG M10X1.5	2			
7	..	23414-100000	GASKET 10	2			10
8	..	23871-010000	PLUG PT1/8	8			
9	..	23871-020000	PLUG PT1/4	2			
10	..	23871-030000	PLUG PT3/8	5			
11	..	43600-500290	COCK ASSY.	1			
12	..	121850-02070	BOLT	12			
13	..	121850-02080	BOLT	2			
14	..	*REF 9=3	BEARING, MAIN COMP.	6			
15	..	X *REF 14	BEARING, MAIN	6			
16	..	X *REF 14	BEARING, MAIN	6			
17	..	121850	PLUG, MAIN COMP.	1			(B)
18	..			1			
19	..			1			

REMARKS (⑳)	
A 29*UNO.3-1 124610-01011	A THE EXPLANATION OF REF NO 31 124610-01011 IS LOCATED HERE
B 29*UNO.17 124610-01011	B THE EXPLANATION OF REF NO 17 IS LOCATED HERE

23 Y000522

⑰	Change Mark	Change Mark "I" is indicated for such a part in which a design change took place newly at this time as it was not given in the last published Parts Catalog.
---	-------------	--

No.	Designation	Explanation
-----	-------------	-------------

18

Effective Machine No.

When a part is changed, Effective Machine No. of a Model for which the part is applicable is indicated.

REF.	LEV.	PART NO.	DESCRIPTION	QTY	P/U	A	R
1		724611-01560	CYLINDER BLOCK ASSY.	1			
1	1-1	(18) 724611-01561	CYLINDER BLOCK ASSY.	1		N	
2		124610-01000	BLOCK COMP.	1			
1	2-1	X 124610-01001	BLOCK COMP.	1		N	
1	3-1	X 124610-01010	CYLINDER BLOCK	1			(A)
4		27241-16000	PLUG 16	1			
5		27241-40000	PLUG 40	6			
6		135400-01700	PLUG MIX 1.5	2			10
7		23471-10000	GASKET 10	2			
8		23871-01000	PLUG PT 1/8	8			
9		23871-02000	PLUG PT 1/4	2			
10		23871-03000	PLUG PT 3/8	5			
11		43400-500290	COCK ASSY.	1			
12		121850-02070	BOLT	12			
13		121850-02080	BOLT	2			
14		X REF 9=3	BEARING, MAIN COMP.	6			
15		X REF 14	BEARING, MAIN	6			
16		X REF 14	BEARING, MAIN COMP.	1			(B)
17		121850-02160	BEARING, MAIN	1			
18		X 121850-02200	BEARING, MAIN	1			
			CAP, MAIN BEARING	1			
			CAP, MAIN BEARING	1			
			MAIN BEARING	5			
				2			
				2			

- The parenthesized "A" indicates Model ⑥.
- The new part 724611-01561 is applicable for the engine above Engine No.000165 of 6PH-HT.
- In case of being discontinued, this is indicated for the first Machine No. which was discontinued.
- Date in calendar represents the time when change took place.
- Model and Effective Machine No.

C	Clutch No.
D	Compressor No.
D	Drive No.
E	Engine No.
M	Machine No.
G	Generator No.
W	Welding machine No.
*	Month/Year in Calendar

(Example) ⑥ (A)=6PH-HT (B)=E000158
 (C)=6PH
 (A)=E000165
 6PH-HT Applicable for the engine above Engine No.000165
 6PH-T Applicable for the engine above Engine No.000158

Mark "*" is indicated for the part which was not able to notify a part change and confirm Effective Machine No. The Engine No. of 6PH remains unexplained.

19

Item No.

[Example] Refer to REF. 3 (3 given under the column "REF.") of Group 9.

20

Item No.

[Example] Refer to REF. 14 (14 given under the column "REF.").

21

Remarks

See Ref. No. 16

22

REF.	LEV.	PART NO.	DESCRIPTION	QTY	P/U	A	R
14		190501-01000	CYLINDER	1			(A)
14-1		190501-01001	CYLINDER	1		S	(A)
14-2		190501-01002	CYLINDER	1		S	(B)
16		190500-01000	CYLINDER	1			(B)
16-1		190500-01001	CYLINDER	1		R	(B)
16		190500-01002	CYLINDER	1			(B)
16-1		190500-01001	CYLINDER	1		R	(B)
2A		190501-01000	GASKET, CYLINDER	1			
2B		190500-01000	GASKET, CYLINDER	1			
1		24270-12095	BOLT, COVER M12X95	16	16	16	
			BOLT, COVER M12X123	16	16	16	
			WOOD BOLT	4	4	4	
				4	4	4	

Some of the parts number is represented with Illustration No. 1 in the list.

23

Illustration No.

Consecutive No. for illustration control.

CONTENTS

<NOTES>

ABOVE-STATED O, Δ, x, MARK SHOWS APPLICABLE MODELS

O---MEANS COMMON

Δ---MEANS EXCLUSIVE USE FOR DTM/STM

x---MEANS EXCEPT DTM/STM

SECTION 1 (L40AE & L48AE)

GROUP NO.	GROUP NAME	D/DF/DP/DV	DTM	S/SF	STM
1	CYLINDER BLOCK	O	O	O	O
2	CYLINDER HEAD & BONNET	O	O	O	O
3	AIR CLEANER & MUFFLER	O	O	O	O
4	CAM/CRANK/BARANCER SHAFT	O	O	O	O
5	PISTON & ROD	O	O	O	O
6	L. O. DEVICE & GOVERNOR CONTROL	O	O	O	O
7	COOLING & RECOIL STARTER	O	O	O	O
8	FUEL INJECTION PUMP & VALVE	x		x	
9	FUEL INJECTION PUMP & VALVE		Δ		Δ
10	FUEL TANK & FUEL PIPE	x		x	
11	FUEL TANK & FUEL PIPE		Δ		Δ
12	STARTING MOTOR & DYNAMO	x		x	
13	STARTING MOTOR & DYNAMO		Δ		Δ
14	TOOLS/LABELS & GASKET SET	O	O	O	O

SECTION 2 (L60AE & L70AE)

GROUP NO.	GROUP NAME	D/DF/DP/DV	DTM	S/SF	STM
15	CYLINDER BLOCK	O	O	O	O
16	CYLINDER HEAD & BONNET	O	O	O	O
17	AIR CLEANER & MUFFLER	O	O	O	O
18	CAM/CRANK/BARANCER SHAFT	O	O	O	O
19	PISTON & ROD	O	O	O	O
20	L. O. DEVICE & GOVERNOR CONTROL	O	O	O	O
21	COOLING & RECOIL STARTER	O	O	O	O
22	FUEL INJECTION PUMP & VALVE	x		x	

CONTENTS

<NOTES>

ABOVE-STATED O, Δ, x, MARK SHOWS APPLICABLE MODELS

O---MEANS COMMON

Δ---MEANS EXCLUSIVE USE FOR DTM/STM

x---MEANS EXCEPT DTM/STM

SECTION 2 (L60AE & L70AE)

GROUP NO.	GROUP NAME	D/DF/DP/DV	DTM	S/SF	STM
23	FUEL INJECTION PUMP & VALVE		Δ		Δ
24	FUEL TANK & FUEL PIPE	x		x	
25	FUEL TANK & FUEL PIPE		Δ		Δ
26	STARTING MOTOR & DYNAMO	x		x	
27	STARTING MOTOR & DYNAMO		Δ		Δ
28	TOOLS/LABELS & GASKET SET	O	O	O	O

SECTION 3 (L75AE/L90AE/L100AE)

GROUP NO.	GROUP NAME	D/DF/DP/DV	DTM	S/SF	STM
29	CYLINDER BLOCK	O	O	O	O
30	CYLINDER HEAD & BONNET	O	O	O	O
31	AIR CLEANER & MUFFLER	O	O	O	O
32	CAM/CRANK/BARANCER SHAFT & PISTON/ROD	O	O	O	O
33	L. O. DEVICE & GOVERNOR CONTROL	O	O	O	O
34	COOLING & RECOIL STARTER	O	O	O	O
35	FUEL INJECTION PUMP	x		x	
36	FUEL INJECTION PUMP & VALVE		Δ		Δ
37	FUEL TANK & FUEL PIPE	x		x	
38	FUEL TANK & FUEL PIPE		Δ		Δ
39	STARTING MOTOR & DYNAMO	x		x	
40	STARTING MOTOR & DYNAMO		Δ		Δ
41	TOOLS/LABELS & GASKET SET	O	O	O	O

CONTENTS

<NOTES>

ABOVE-STATED O, Δ, x, MARK SHOWS APPLICABLE MODELS

O---MEANS COMMON

Δ---MEANS EXCLUSIVE USE FOR DTM/STM

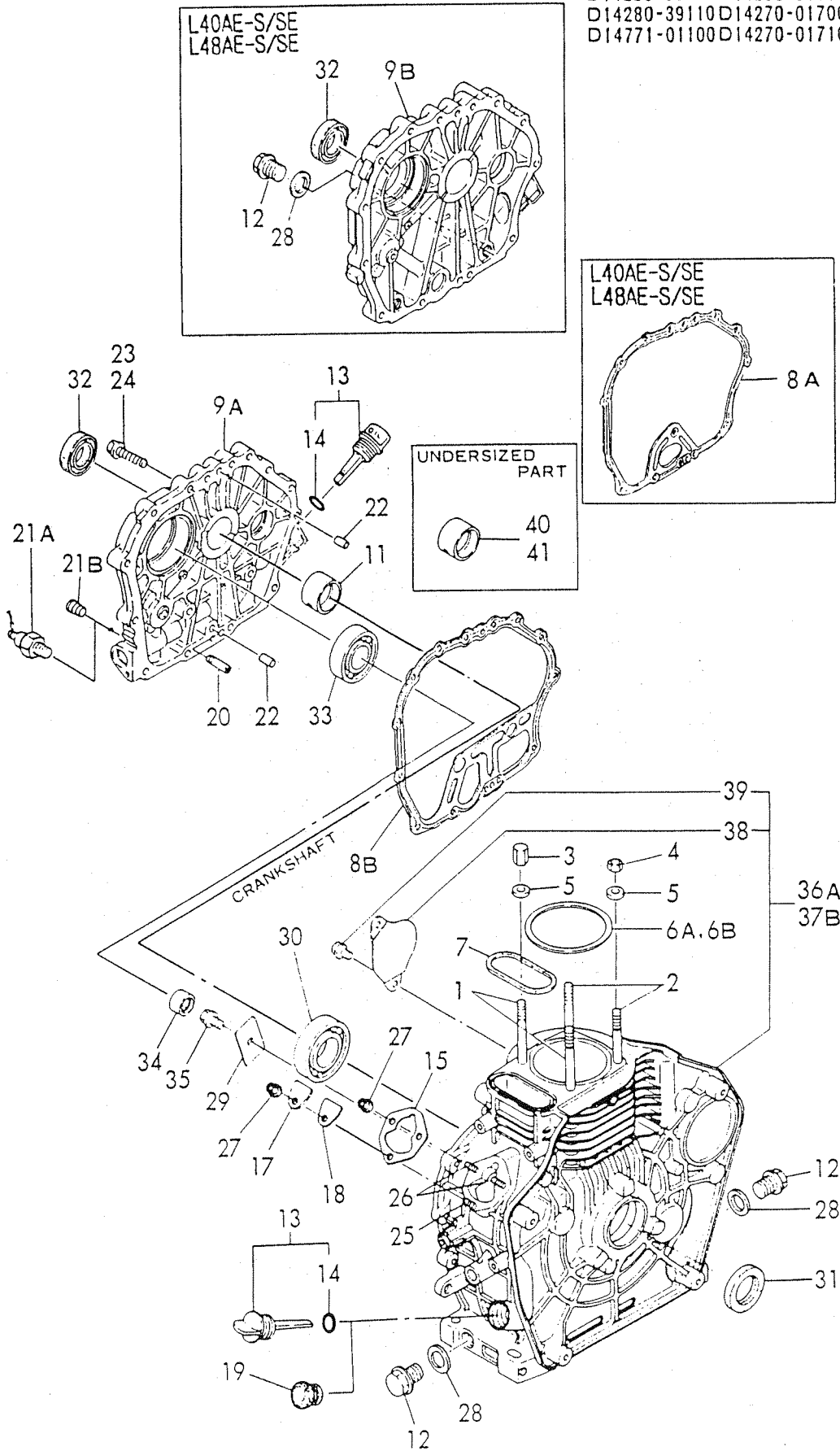
x---MEANS EXCEPT -DTM/-STM

SECTION 1 (L40AE & L48AE)

GROUP NO.	GROUP NAME	D/DF/DP/DV	DTM	S/SF	STM
1	CYLINDER BLOCK	O	O	O	O
2	CYLINDER HEAD & BONNET	OO	OO	OO	OO
3	AIR CLEANER & MUFFLER	OO	OO	OO	OO
4	CAM/CRANK/BARANCER SHAFT	OO	OO	OO	OO
5	PISTON & ROD	O	O	O	O
6	L. O. DEVICE & GOVERNOR CONTROL	O	O	O	O
7	COOLING & RECOIL STARTER	O	O	O	O
8	FUEL INJECTION PUMP & VALVE	x		x	
9	FUEL INJECTION PUMP & VALVE		Δ		Δ
10	FUEL TANK & FUEL PIPE	x		x	
11	FUEL TANK & FUEL PIPE		Δ		Δ
12	STARTING MOTOR & DYNAMO	x		x	
13	STARTING MOTOR & DYNAMO		Δ		Δ
14	TOOLS/LABELS & GASKET SET	O	O	O	O

Fig. 1 CYLINDER BLOCK

SPEC. CODE
 D14278-01700 D14270-01100
 D14278-01710 D14271-01100
 D14250-02100 D14270-01500
 D14280-39100 D14280-01500
 D14280-39110 D14270-01700
 D14771-01100 D14270-01710



+-----+
 I 1803 I
 I(1802)I
 +-----+
 YOOR3981

(1) CYLINDER BLOCK

91.07.02

(A)= (D)=
 (B)=L40AE-D/DE (E)=L40AE-S/SE
 (C)=L48AE-D/DE (F)=L48AE-S/SE

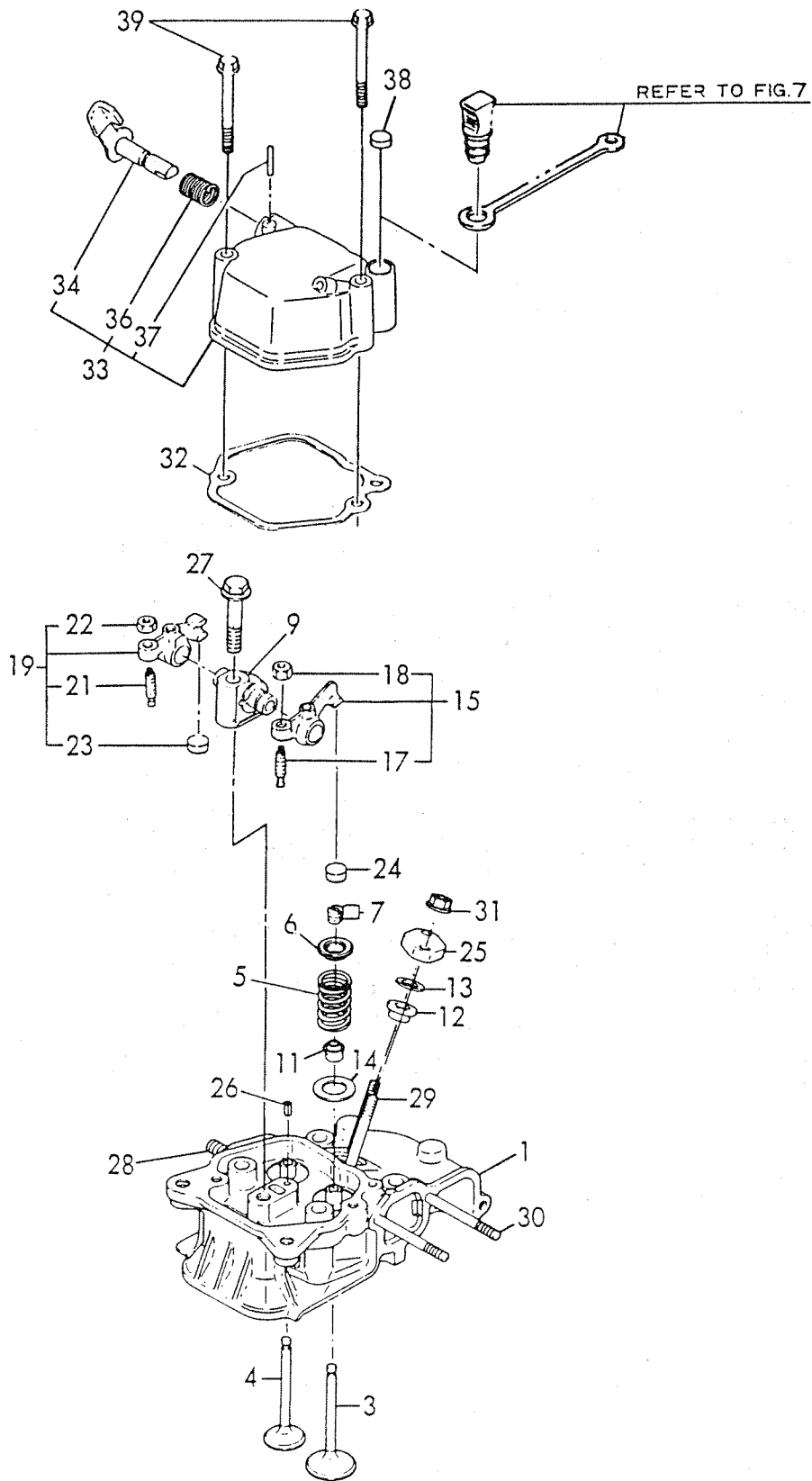
REF. NO.	LEV. 0	PART NO.	DESCRIPTION	-----Q'TY-----						I P/U A R
				(A)	(B)	(C)	(D)	(E)	(F)	
1	.	114253-01200	STUD, CYL. HEAD	2	2		2	2		
2	.	114253-01210	STUD, CYL. HEAD	2	2		2	2		
3	.	114253-01220	NUT 8	2	2		2	2		
4	.	114253-01250	NUT 8	2	2		2	2		
5	.	124953-01250	WASHER	4	4		4	4		
6A	.	114253-01340	GASKET, CYL. HEAD	1			1			
6B	.	114773-01340	GASKET, CYL. HEAD			1			1	
7	.	114253-01380	O-RING	1	1		1	1		
8A	.	114253-01411	GASKET, CRANK CASE				1	1		
8B	.	114253-01412	GASKET, CRANK CASE	1	1					
9A	.	114260-01453	COVER (D), CRANK CASE	1	1					
9B	.	114250-01452	COVER (S), CRANK CASE				1	1		
11	.	114250-02100	BEARING, MAIN	1	1		1	1		
12	.	105425-01690	PLUG M16	2	2		3	3		
13	.	160710-01760	CAP, W/LUB.OIL GAUGE	2	2		2	2		
14	..	24311-000180	O-RING 1A P-18.0	2	2		2	2		
15	.	114250-01800	SHIM SET	1	1		1	1		
17	.	114250-01830	COVER, INSPEC.WINDOW	1	1		1	1		
18	.	114250-01840	GASKET	1	1		1	1		
19	.	160110-01870	PLUG, RUBBER W/SCREW	1	1		1	1		
20	.	114250-35150	PIPE, L.O. INLET	1	1					
21A	.	183250-39450	SWITCH, OIL PRESSURE	1						(Y)
21B	.	23871-010000	PLUG PT1/8, SCREW	1	1		1	1		
22	.	22312-080120	PARALLEL PIN 8X12	2	2		2	2		
23	.	26106-060252	BOLT M 6X 25 PLATED	14	14		14	14		
24	.	26106-080352	BOLT M 8X 35 PLATED	1	1		1	1		
25	.	26226-060182	STUD M 6X 18 PLATED	1	1		1	1		
26	.	26226-060222	STUD M 6X 22 PLATED	2	2		2	2		
27	.	26366-060002	NUT M 6	3	3		3	3		
28	.	43400-500490	SEAL WASHER 16	4	4		3	3		
29	.	114250-02030	RETAINER, BEARING	1	1		1	1		
30	.	114250-02113	BALL BEARING	1	1		1	1		
31	.	160110-02220	SEAL, OIL	1	1		1	1		
32	.	160210-02220	SEAL, OIL	1	1		1	1		
33	.	24101-062050	BALL BEARING	1	1		1	1		
34	.	24162-152112	NEEDLE BEARING	1	1		1	1		
35	.	26106-080122	BOLT M 8X 12 PLATED	1	1		1	1		
36A	.	714271-01560	BLOCK ASSY, CYLINDER	1			1			
36B	.	714771-01560	BLOCK ASSY, CYLINDER			1		1		
38	..	114350-01700	COVER, STARTER	1	1		1	1		
39	..	26106-100122	BOLT M10X 12 PLATED	2	2		2	2		
40	.	114250-02200	MAIN BEARING US=0.25	1	1		1	1		(H)
41	.	114250-02210	MAIN BEARING US=0.50	1	1		1	1		(H)

----- REMARKS -----

I (Y) FOR L40AE-DGMO/DEGMO
 I (H) UNDER SIZED PARTS

Fig. 2 CYLINDER HEAD & BONNET

SPEC. CODE
D14250-11100
D14250-11200



+-----+
 I 1B04 I
 I (1B02) I
 +-----+
 Y00R3981

(2) CYLINDER HEAD & BONNET

91.07.02

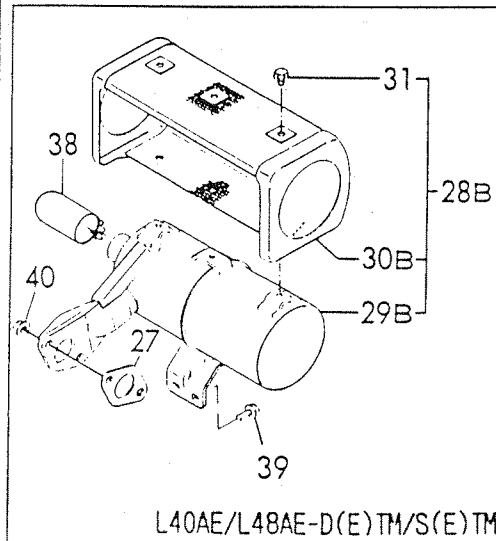
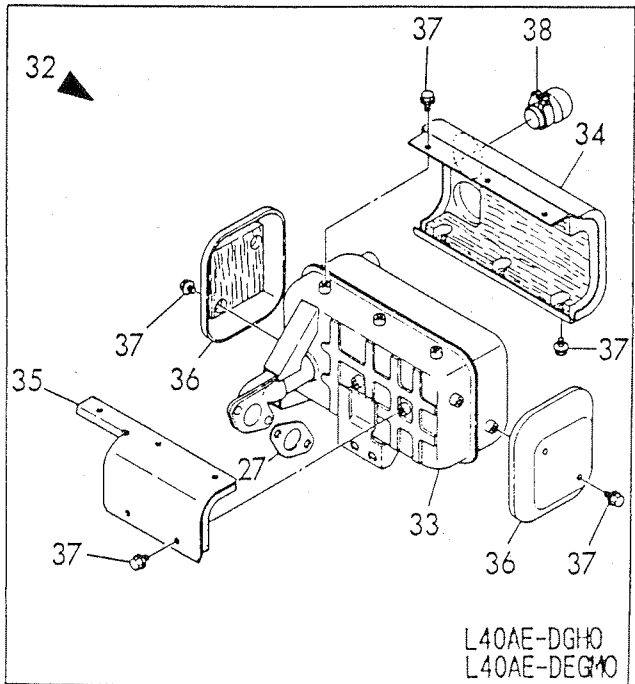
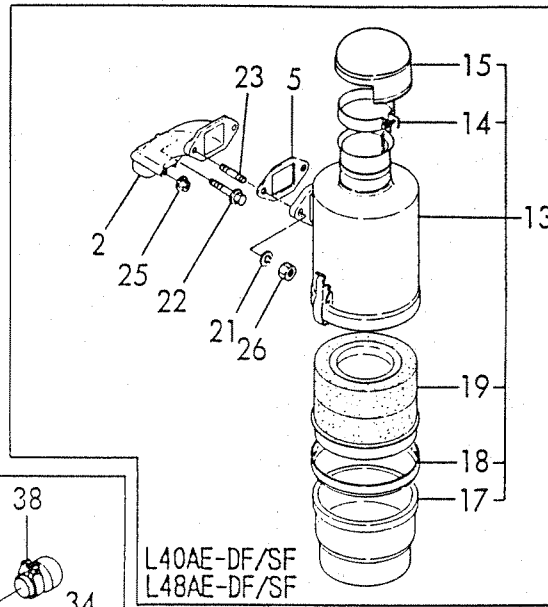
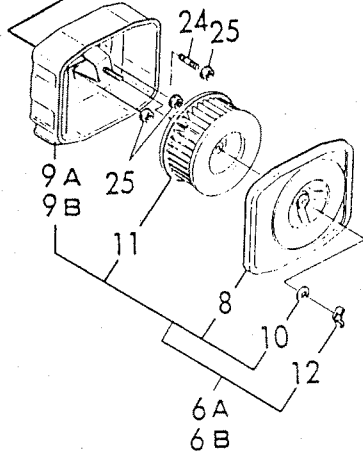
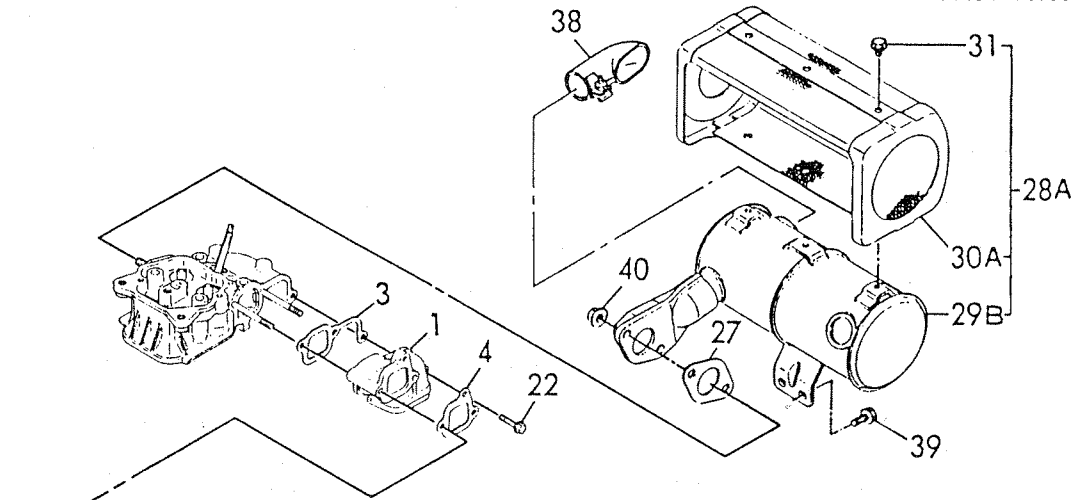
(A)= (D)=
 (B)=L40AE-D/DE (E)=L40AE-S/SE
 (C)=L48AE-D/DE (F)=L48AE-S/SE

REF. NO.	LEV. 0	PART NO.	DESCRIPTION	-----Q'TY-----						I P/U A R
				(A)	(B)	(C)	(D)	(E)	(F)	
1	.	114250-11020	HEAD ASSY, CYLINDER	1	1			1	1	
3	.	114250-11101	VALVE, SUCTION	1	1			1	1	
4	.	114250-11113	VALVE, EXHAUST	1	1			1	1	
5	.	114250-11120	SPRING, VALVE	2	2			2	2	
6	.	114250-11180	RETAINER, SPRING	2	2			2	2	
7	.	714250-11570	COTTER	2	2			2	2	
9	.	114250-11290	SUPPORT, ROCKER ARM	1	1			1	1	
11	.	114250-11340	SEAL, VALVE STEM	2	2			2	2	
12	.	114250-11460	GASKET, NOZZLE	1	1			1	1	
13	.	114350-11470	SPACER, NOZZLE	1	1			1	1	
14	.	114250-11600	WASHER	2	2			2	2	
15	.	114250-11651	ARM ASSY, INTAKE	1	1			1	1	
17	..	114250-11240	SCREW, VALVE ADJUST.	1	1			1	1	
18	..	26756-060002	LOCK NUT M 6 PLATED	1	1			1	1	
19	.	714270-11660	ARM ASSY, EXHAUST	1	1			1	1	
21	...	114250-11240	SCREW, VALVE ADJUST.	1	1			1	1	
22	...	26756-060002	LOCK NUT M 6 PLATED	1	1			1	1	
23	..	119260-11370	CAP, VALVE	1	1			1	1	
24	.	119260-11370	CAP, VALVE	1	1			1	1	
25	.	114250-11900	RETAINER, NOZZLE	1	1			1	1	
26	.	22351-040008	SPRING PIN 4X 8	1	1			1	1	
27	.	26106-080452	BOLT M 8X 45 PLATED	1	1			1	1	
28	.	26216-080182	STUD M 8X 18 PLATED	2	2			2	2	
29	.	26226-060502	STUD M 6X 50	2	2			2	2	
30	.	26226-060552	STUD M 6X 55	2	2			2	2	
31	.	26366-060002	NUT M 6	2	2			2	2	
32	.	114250-11310	GASKET, BONNET	1	1			1	1	
33	.	114250-11951	BONNET ASSY, HEAD	1	1			1	1	
34	..	114250-03591	SHAFT ASSY, DECOMP.	1	1			1	1	
36	..	114250-03640	SPRING	1	1			1	1	
37	..	22312-030160	PARALLEL PIN 3X16	1	1			1	1	
38	.	129100-61850	PLUG (12)	1	1			1	1	
39	.	26106-060552	BOLT M 6X 55 PLATED	2	2			2	2	

----- REMARKS -----

Fig. 3 AIR CLEANER & MUFFLER

SPEC. CODE
 D14250-13100
 D14272-13150
 D14250-12110
 D14252-12130
 D14254-12130



+-----+
 I 1805 I
 I (1802) I
 +-----+
 YOOR3981

(3) AIR CLEANER & MUFFLER

91.07.02

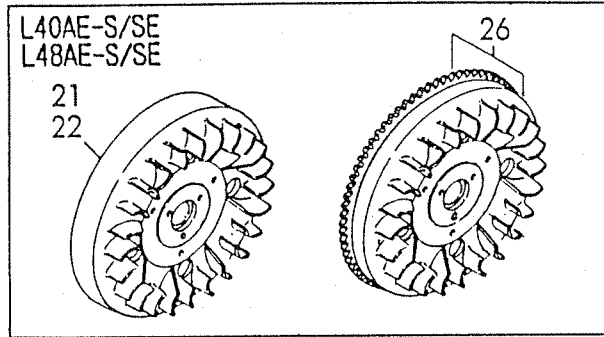
(A)= (D)=
 (B)=L40AE-D/DE (E)=L40AE-S/SE
 (C)=L48AE-D/DE (F)=L48AE-S/SE

REF. NO.	LEV. 0	PART NO.	DESCRIPTION	-----Q'TY-----						I P/U A R
				(A)	(B)	(C)	(D)	(E)	(F)	
1	.	114250-12010	PIPE, AIR INTAKE	1	1		1	1		
2	.	114252-12010	PIPE, AIR INTAKE	1	1		1	1		(#)
3	.	114250-12200	GASKET, AIR INTAKE	1	1		1	1		
4	.	114250-12210	GASKET, AIR CLEANER	1	1		1	1		
5	.	114252-12210	GASKET, AIR CLEANER	1	1		1	1		(#)
6A	.	714250-12560	CLEANER ASSY, AIR	1	1		1	1		
6B	.	714268-12581	CLEANER ASSY, AIR	1	1					(H)
8	...	114250-12520	COVER, AIR CLEANER	1	1		1	1		
9A	...	114250-12530	CASE, AIR CLEANER	1	1		1	1		
9B	...	114250-12980	CASE, AIR CLEANER	1	1					(H)
10	...	114250-12560	WASHER, SEAL	1	1		1	1		
11	...	114250-12580	ELEMENT, WET AIR	1	1		1	1		
12	..	114250-12550	WING NUT M6	1	1		1	1		
13	.	114252-12700	CLEANER ASSY.OILBATH	1	1		1	1		(#)
14	..	160820-12300	BAND	1	1		1	1		(#)
15	..	114252-12660	CAP,AIRCLEANER	1	1		1	1		(#)
17	..	160820-12770	POT, OIL AIR CLEANER	1	1		1	1		
18	..	160820-12780	RING	1	1		1	1		
19	..	114252-12860	ELEMENT, AIR CLEANER	1	1		1	1		(#)
21	.	22217-080000	SPRING WASHER 8	2	2		2	2		
22	.	26106-060252	BOLT M 6X 25 PLATED	1	1		1	1		
23	.	26216-080182	STUD M 8X 18 PLATED	2	2		2	2		
24	.	26226-060142	STUD M 6X 14 PLATED	1	1		1	1		
25	.	26366-060002	NUT M 6	3	3		3	3		
26	.	26716-080002	NUT M 8	2	2		2	2		
27	.	114250-13200	GASKET, MUFFLER	1	1		1	1		
28A	.	114250-13521	MUFFLER W/COVER	1	1		1	1		
28B	.	114268-13500	MUFFLER W/COVER	1	1		1	1		(%)
29A	..	114250-13531	MUFFLER	1	1		1	1		
29B	..	114268-13510	MUFFLER	1	1		1	1		(%)
30A	..	114250-13701	COVER, MUFFLER	1	1		1	1		
30B	..	114268-13700	COVER, MUFFLER	1	1		1	1		(%)
31	..	26106-060082	BOLT M 6X 8 PLATED	6	6		6	6		
32	.	114770-13550	MUFFLER ASSY	1						(T)
33	..	114770-13560	MUFFLER	1						(T)
34	..	114870-13700	COVER(A), MUFFLER	1						(T)
35	..	114870-13710	COVER(B), MUFFLER	1						(T)
36	..	114870-13720	COVER(C), MUFFLER	2						(T)
37	..	26106-060082	BOLT M 6X 8 PLATED	12						(T)
38	.	114268-13800	EXTENSION, EXH.	1	1		1	1		(%)
39	.	26106-060122	BOLT M 6X 12 PLATED	2	2		2	2		
40	.	26366-080002	NUT 8	2	2		2	2		

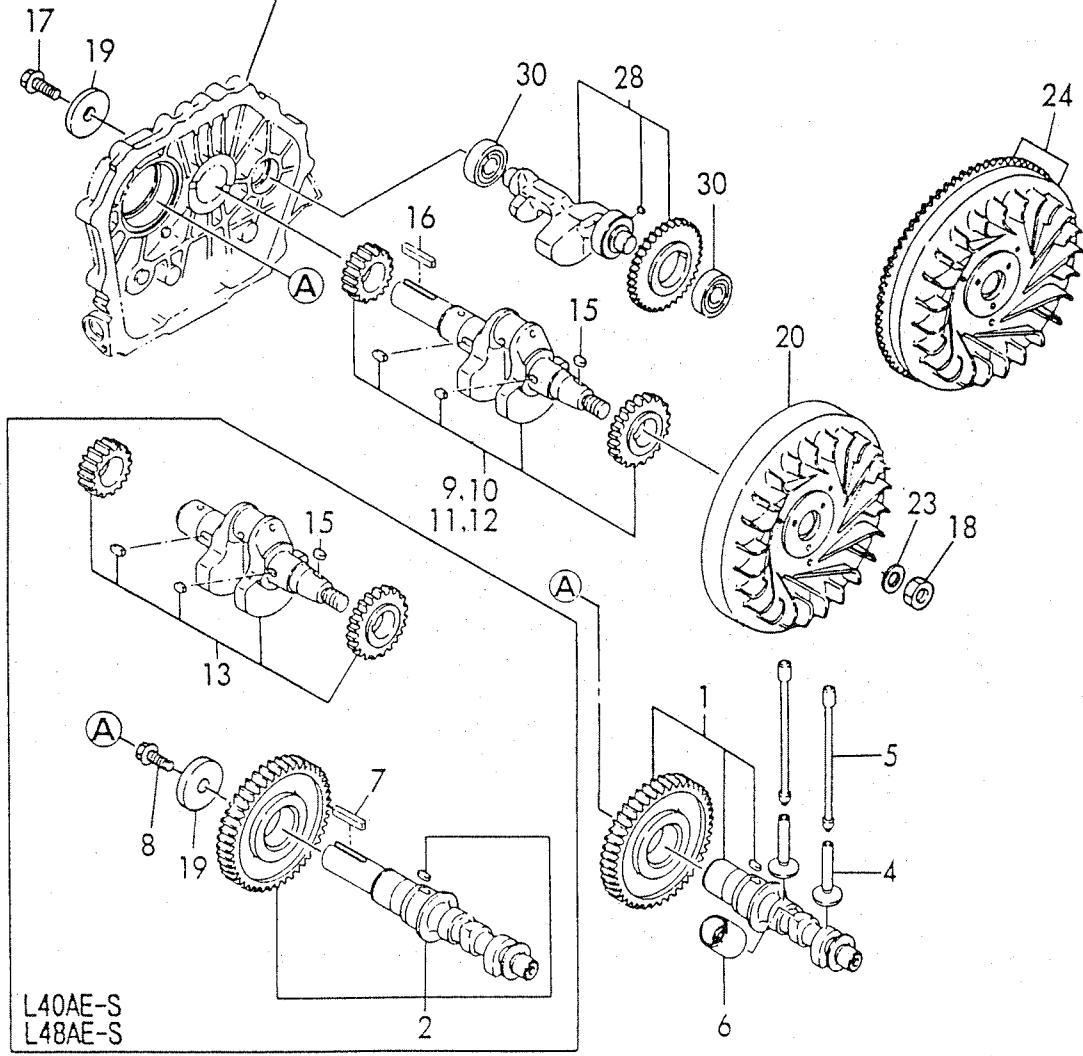
----- REMARKS -----
 I (#) FOR L40AE/48AE-D(E)F/S(E)F
 I (H) FOR L40AE/48AE-D(E)V
 I (T) L40AE-DGMO/DEGMO
 I (%) L40AE/L48AE-D(E)TM/S(E)TM
 I & L40AE-D(E)GMO

Fig. 4 CRANKSHAFT & CAMSHAFT

SPEC. CODE
 D14770-21500 D14773-14100
 D14771-21500 D14780-14100
 D14780-21500 D14288-21100
 D14781-21500 D14288-21110
 D14280-21700 D14288-21120
 D14288-21700 D14770-21100
 D14780-21100



REFER TO FIG. 1



L40AE-S
 L48AE-S

L40AE-D/L48AE-D
 CRANK SHAFT

Ref. No.	MAGNIFIED AXIAL END	SCREW SIZE	KEY SIZE	Ref. No.	MAGNIFIED AXIAL END	SCREW SIZE
9		5/16-24UNF	4.7x30	12		3/4-16UNF
11		M8x1.25	5x30			
				10		5/16-24UNF

+-----+
 I 1B06 I
 I (1B02) I
 +-----+
 Y00R3981

(4) CAM/CRANK/BARANCER SHAFT

91.07.02

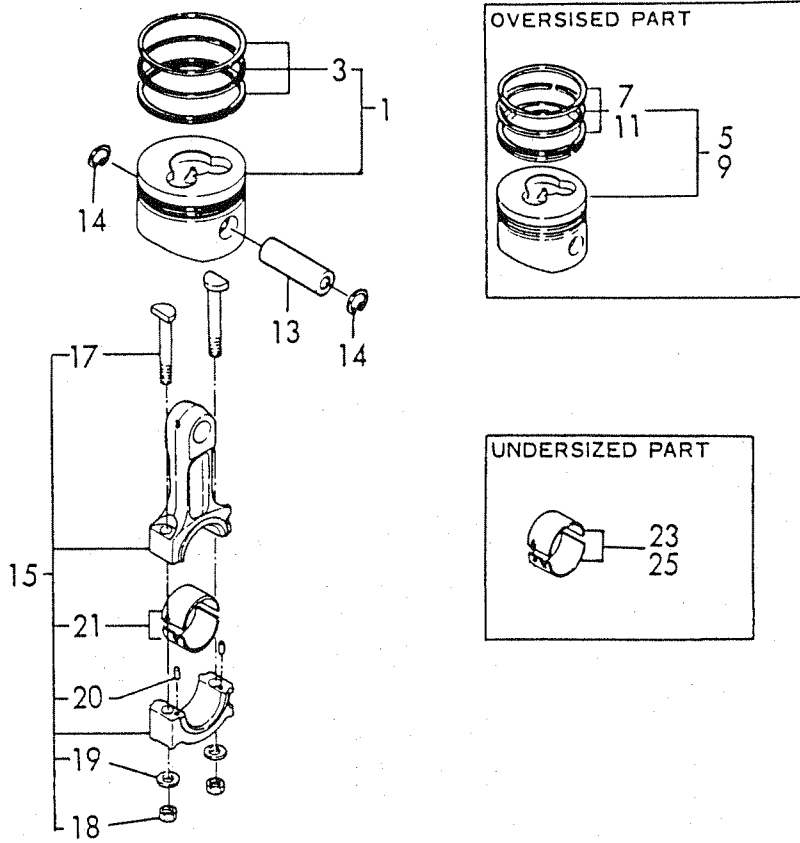
(A)= (D)=
 (B)=L40AE-D/DE (E)=L40AE-S/SE
 (C)=L48AE-D/DE (F)=L48AE-S/SE

REF. NO.	LEV. 0	PART NO.	DESCRIPTION	-----Q'ITY-----						I	P/U	A	R
				(A)	(B)	(C)	(D)	(E)	(F)				
1	.	714780-14580	CAMSHAFT(D) ASSY.		1	1							
2	.	714770-14580	CAMSHAFT(S) ASSY.					1	1				
4	.	114250-14200	TAPPET, SUC./EXH.		2	2		2	2				
5	.	114250-14450	ROD, PUSH		2	2		2	2				
6	.	114250-14260	TAPPET, FUEL		1	1		1	1				
7	.	22512-050300	KEY 5X 30					1	1				
8	.	26106-080202	BOLT M 8X 20 PLATED					1	1				
9	.	714288-21700	CRANKSHAFT ASY (D/DE	1	1							(H)	
10	.	714288-21730	CRANKSHAFT ASY (DGMO	1								(T)	
11	.	714288-21740	CRANKSHAFT ASY (DV/DF	1	1							(Y)	
12	.	714288-21760	CRANKSHAFT ASY (DP)	1	1							(X)	
13	.	714278-21710	CRANKSHAFT ASSY(S)					1	1				
15	.	22512-040120	KEY 4X 12		1	1		1	1				
16	.	160642-21150	KEY 4.7X30		1	1							
17	.	160642-21250	BOLT 5/15-24UNF		1	1							
18	.	103854-01221	NUT M16		1	1		1	1				
19	.	160310-14550	WASHER		1	1		1	1				
20	.	114780-21400	FLYWHEEL (D)		1	1							
21	.	114770-21400	FLYWHEEL (S)					1	1				
22	.	114770-21410	FLYWHEEL (SF)					1	1			(#)	
23	.	114250-21550	WASHER, FLYWHEEL	1	1			1	1				
24	.	114781-21590	FLYWHEEL (DE) W/GEAR	1	1								
26	.	114771-21590	FLYWHEEL (SE) W/GEAR					1	1				
28	.	714770-28510	SHAFT ASSY, BALANCER	1	1			1	1				
30	.	24101-062024	BALL BEARING		2	2		2	2				

----- REMARKS -----
 I (Y) FOR L40AE/48AE-D(E)F & L40AE/
 I 48AE-D(E)V
 I (T) FOR L40AE-DGMO/DEGMO
 I (#) FOR L40AE/48AE-SF/SEF
 I (H) FOR L40AE/48AE-D/DE & L40AE/48AE-
 I D(E)TM/S(E)TM
 I (X) FOR L40AE/48AE-D(E)P

SPEC. CODE
D14270-22100
D14280-22100
D14250-23100

Fig. 5 PISTON & CONNECTING ROD



+-----+
 I 1807 I
 I (1802) I
 +-----+
 Y00R3981

(5) PISTON & ROD

91.07.02

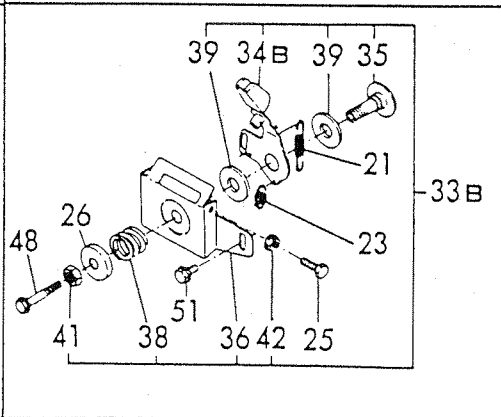
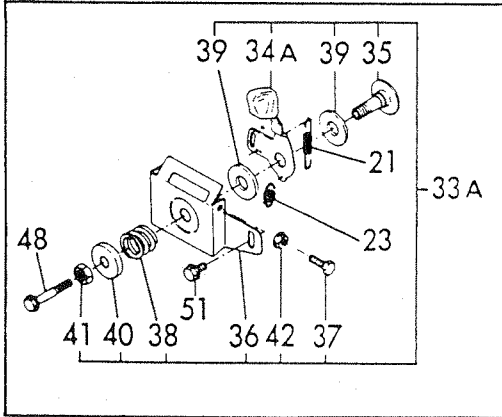
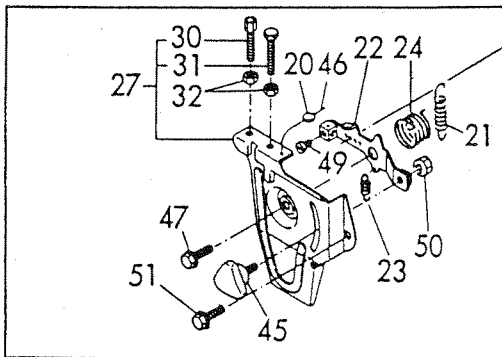
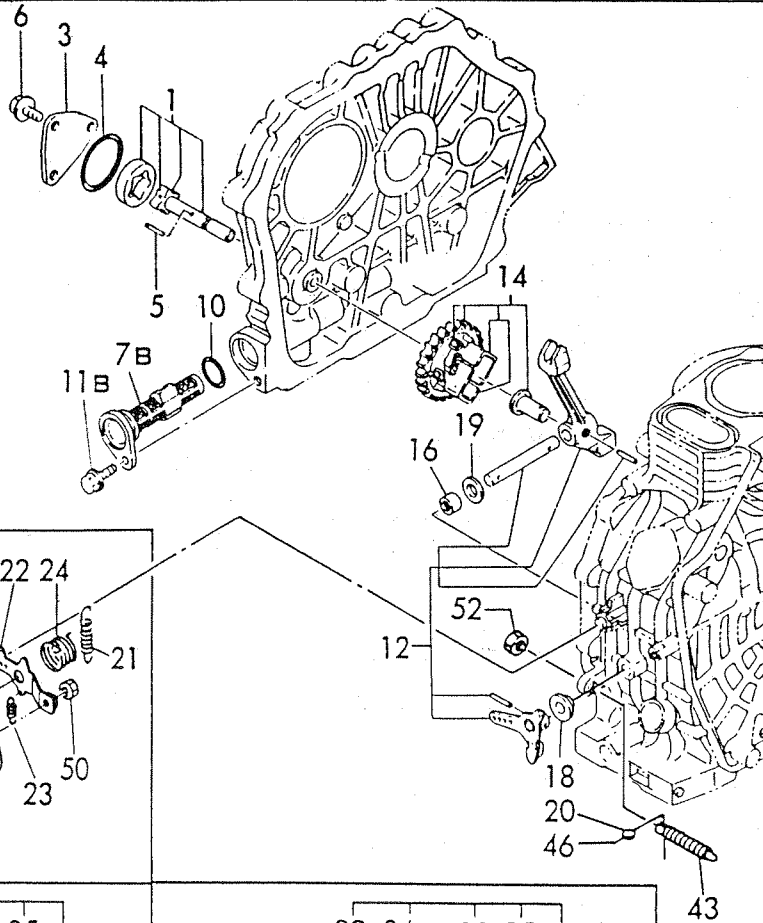
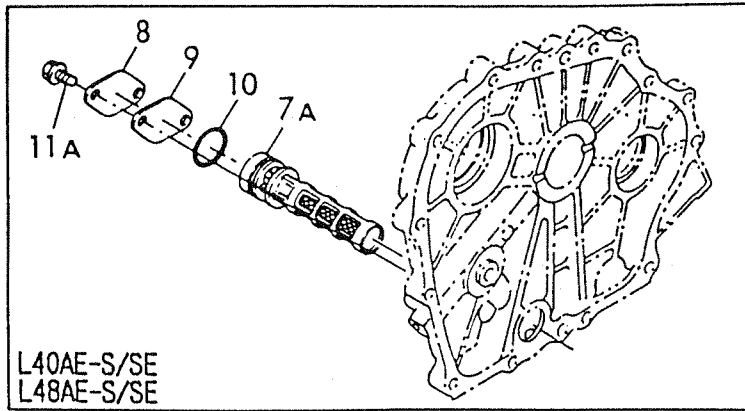
(A)= (D)=
 (B)=L40AE-D/DE (E)=L40AE-S/SE
 (C)=L48AE-D/DE (F)=L48AE-S/SE

REF. NO.	LEV. 0	PART NO.	DESCRIPTION	-----Q'TY-----						I	P	U	A	R
				(A)	(B)	(C)	(D)	(E)	(F)					
1A	.	714280-22720	PISTON W/RINGS		1									
1B	.	714780-22720	PISTON W/RINGS				1							
1C	.	714270-22720	PISTON W/RINGS							1				
1D	.	714770-22720	PISTON W/RINGS									1		
3A	..	714250-22502	RING SET, PISTON		1				1					
3B	..	714770-22500	RING SET, PISTON			1						1		
5A	.	714280-22620	PISTON W/RING OS=.25		1									(H)
5B	.	714780-22620	PISTON W/RINGS(OS.25			1								(H)
5C	.	714270-22620	PISTON W/RING(OS0.25						1					(H)
5D	.	714770-22620	PISTON W/RING(OS=.25									1		(H)
7A	..	714250-22542	RING SET O.S=0.25		1				1					(H)
7B	..	714770-22540	RING SET O.S=0.25			1						1		(H)
9A	.	714280-22580	PISTON W/RING OS=0.5		1									(H)
9B	.	714780-22580	PISTON W/RINGS(OS.5			1								(H)
9C	.	714270-22580	PISTON W/RING(OS0.50						1					(H)
9D	.	714770-22580	PISTON W/RING(OS=0.5									1		(H)
11A	..	714250-22550	RING SET O.S=0.50		1				1					(H)
11B	..	714770-22550	RING SET O.S=0.50			1						1		(H)
13	.	114250-22302	PIN, PISTON D=19		1	1			1	1				
14	.	22252-000190	CIRCLIP 19		2	2			2	2				
15	...	714250-23703	ROD ASSY, CONNECTING		1	1			1	1				
17	...	114250-23200	BOLT, ROD		2	2			2	2				
18	...	114250-23220	NUT, ROD BOLT		2	2			2	2				
19	...	114250-23250	WASHER		2	2			2	2				
20	...	22312-030080	PARALLEL PIN 3X 8		2	2			2	2				
21	..	714250-23600	BEARING, CRANKPIN		1	1			1	1				
23	.	714250-23610	BEARING, PIN(U.S=0.25		1	1			1	1				(H)
25	.	714250-23620	BEARING, PIN(U.S=0.50		1	1			1	1				(H)

----- REMARKS -----
 I(H) OVERSIZED & UNDERSIZED PARTS

Fig. 6 LUB. OIL PUMP & GOVERNOR

SPEC. CODE
 D14770-32100
 D14250-35100
 D14250-35110
 D14770-61100
 D14770-66110
 D14770-66120
 D14770-66130
 D14270-66500
 D14270-66800



+-----+
 I 1B08 I
 I (1B02) I
 +-----+
 YOOR3981

(6) L.O. DEVICE & GOVERNOR CONTROL

91.07.02

(A)= (D)=
 (B)=L40AE-D/DE (E)=L40AE-S/SE
 (C)=L48AE-D/DE (F)=L48AE-S/SE

REF. NO.	LEV. 0	PART NO.	DESCRIPTION	-----Q'TY-----						I P/U A R
				(A)	(B)	(C)	(D)	(E)	(F)	
1	.	114250-32010	PUMP ASSY, LUB.OIL	1	1			1	1	
3	.	114250-32070	COVER, LUB. OIL PUMP	1	1			1	1	
4	.	103338-32570	O-RING	1	1			1	1	
5	.	22312-030160	PARALLEL PIN 3X16	1	1			1	1	
6	.	26476-060142	BOLT M 6X 14,TAPPING	3	3			3	3	
7A	.	114250-35060	STRAINER, LUB. OIL					1	1	
7B	.	114250-35070	STRAINER, LUB. OIL	1	1					
8	.	114250-35250	COVER					1	1	
9	.	114250-35270	GASKET, L.O.STRAINER					1	1	
10	.	24341-000224	O-RING 1A S-22.4	1	1			1	1	
11A	.	26106-060122	BOLT M 6X 12 PLATED					2	2	
11B	.	26106-060162	BOLT M 6X 16 PLATED	1	1					
12	.	714250-61500	LEVER ASSY, GOVERNOR	1	1			1	1	
14	.	714770-61700	GOVERNOR ASSY	1	1			1	1	
16	.	121450-61520	NEEDLE BEARING FJ810	2	2			2	2	
18	.	114250-61900	BUSH, THRUST	1	1			1	1	
18-1A	.	114770-61600 (B=X)	SEAL, OIL	1	1			1	1	F
18-1B	.	114770-61610 (B=X)	WASHER	1	1			1	1	F
19	.	22137-080000	WASHER 8, POLISHED	1	1			1	1	
20	.	135210-61090	LEAD	2	2			2	2	
21	.	114770-66010	SPRING, REGULATOR	1	1			1	1	
22	.	114250-66050	HANDLE, REGULATOR	1	1			1	1	
23	.	114250-66200	SPRING, RETURN	1	1			1	1	
24	.	114252-66252	SPRING, RETURN	1	1			1	1	
25	.	114250-66440	BOLT, ADJUSTING	1	1					(Y)
26	.	114254-66220	SUPPORT	1	1					(Y)
27	.	714268-66500	BRACKET ASSY,REGULAT	1	1			1	1	
30	...	102100-67080	BOLT, ADJUSTING	1	1			1	1	
31	...	114250-66440	BOLT, ADJUSTING	1	1			1	1	
32	..	26756-060002	LOCK NUT M 6 PLATED	2	2			2	2	
33A	..	183250-66500	BRACKET ASSY,REGULAT	1	1					(H)
33B	.	114254-66200	BRACKET ASSY,REGULAT	1	1					(Y)
34A	..	183250-66050	HANDLE, REGULATOR	1	1					(H)
34B	..	114254-66210	HANDLE, REGULATOR	1	1					(Y)
35	..	183250-66070	SHAFT, HANDLE	1	1					(H)
36	..	183250-66100	BRACKET, REGULATOR	1	1					(H)
37	..	114250-66440	BOLT, ADJUSTING	1	1					(H)
38	..	104200-66820	SPRING	1	1					(H)
39	..	104200-66830	PLATE, FRICTION	2	2					(H)
40	..	104200-66850	WASHER (B)	1	1					(H)
41	..	26696-100002	NUT M10	1	1					(H)
42	..	26756-060002	LOCK NUT M 6 PLATED	1	1					(H)
43	.	114250-66550	TORQUE SPRING ASSY	1	1			1	1	
45	.	160725-78350	KNOB (W/M6X15)	1	1			1	1	
46	.	22451-060000	WIRE 0.6	2	2			2	2	
47	.	26106-060202	BOLT M 6X 20 PLATED	1	1			1	1	
48	.	26106-060452	BOLT M 6X 45 PLATED	1						(#)
49	.	26116-040088	BOLT M 4X 8 PLATED	1	1			1	1	
50	.	26346-060002	U-NUT M 6 PLATED	1	1			1	1	
51	.	26476-060142	BOLT M 6X 14,TAPPING	1	1			1	1	
52	.	26696-000002	NUT M10	1	1			1	1	

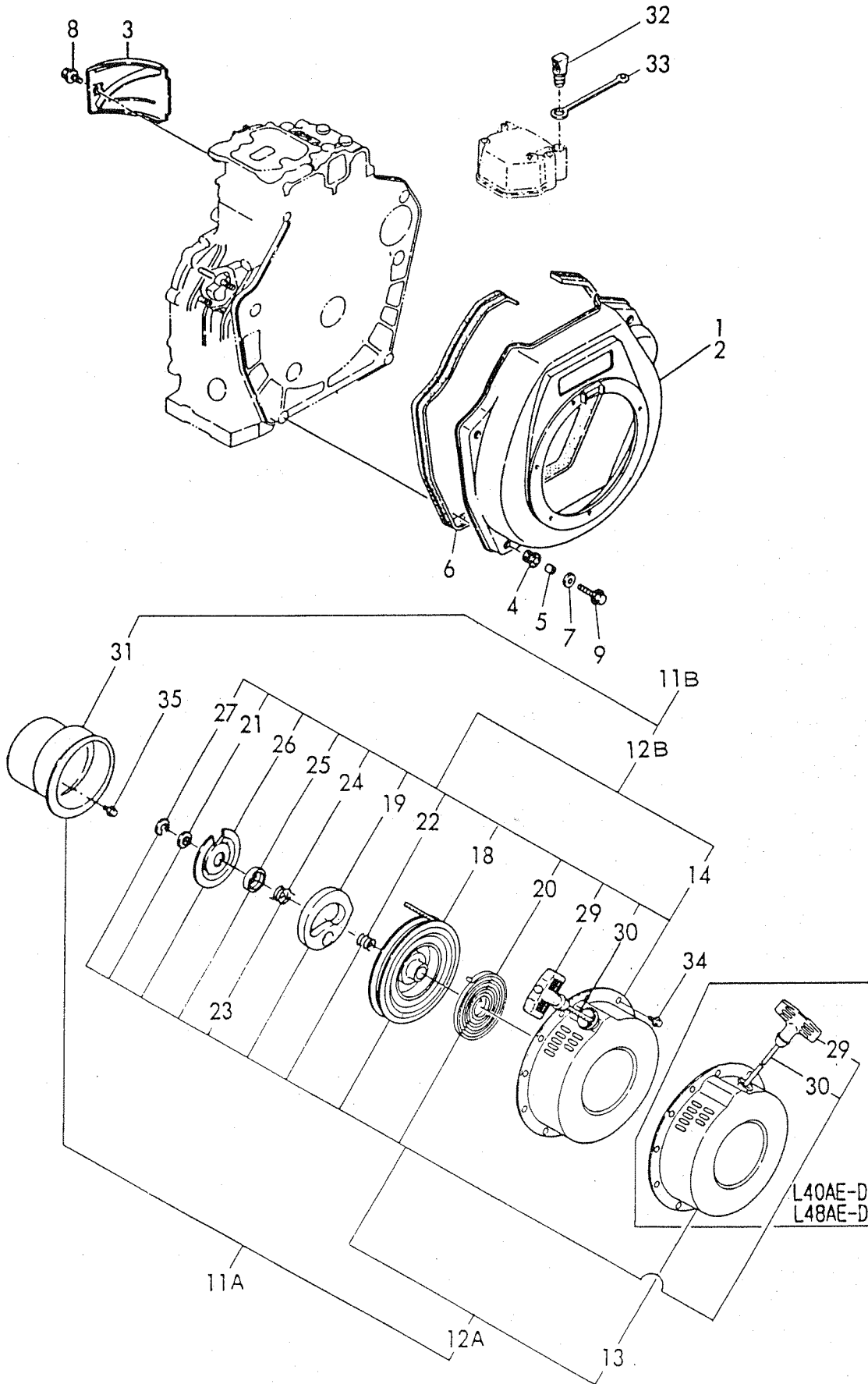
----- REMARKS -----

(H) FOR L40AE-DGMO/DEGMO L40AE/48AE-D(E)TM/S(E)TM
 (#) FOR L40AE-DGMO/DEGMO (Y) FOR L40AE/48AE-D(E)V

Y051636

Fig. 7 COOLING & STARTING DEVICE

SPEC. CODE
 D14770-45100
 D14780-45100
 D14250-76100
 D14260-76100



+-----+
 I 1B10 I
 I (1B02) I
 +-----+
 YOOR3981

(7) COOLING & RECOIL STARTER

91.07.02

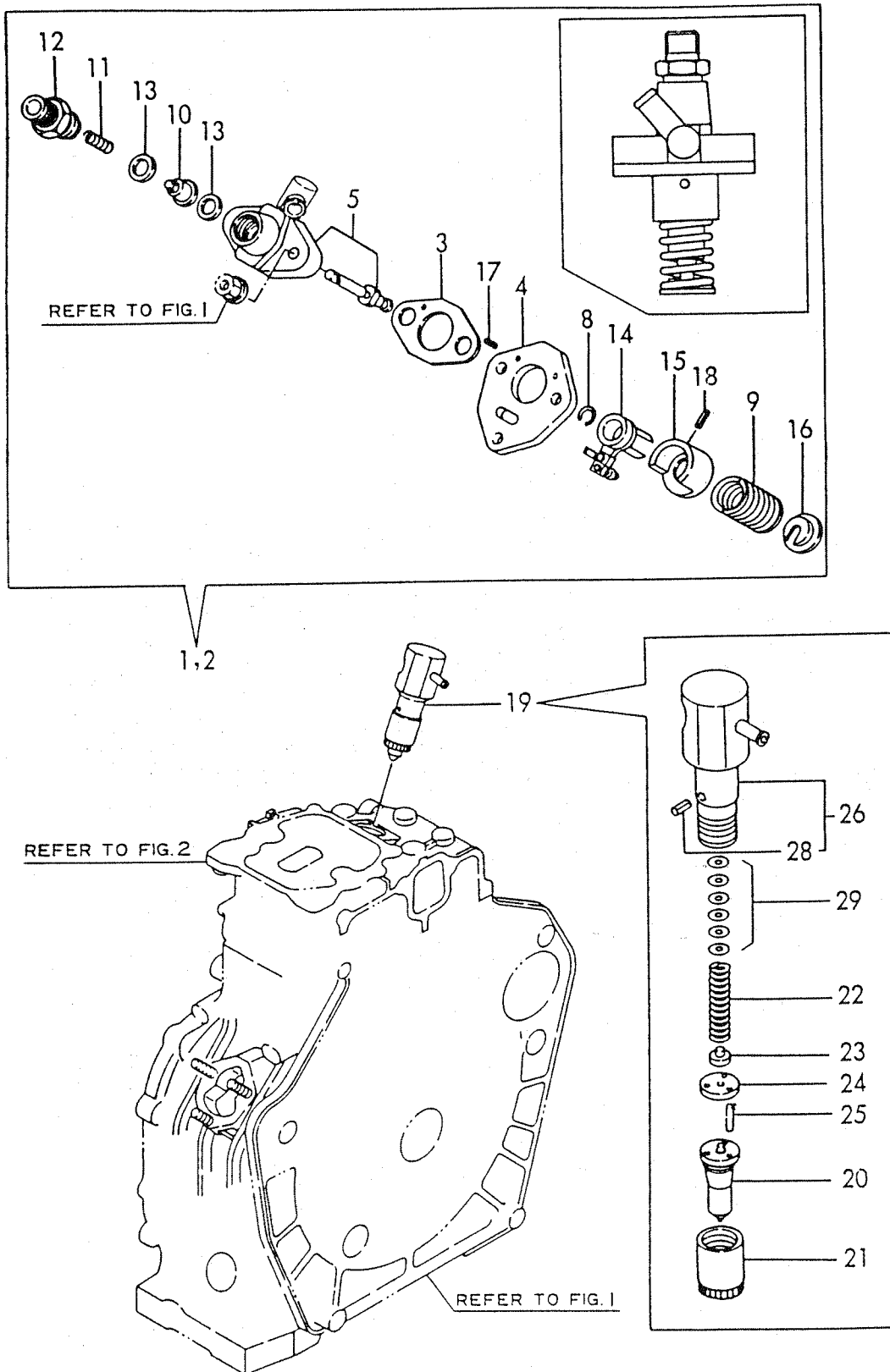
(A)= (D)=
 (B)=L40AE-D/DE (E)=L40AE-S/SE
 (C)=L48AE-D/DE (F)=L48AE-S/SE

REF. NO.	LEV. 0	PART NO.	DESCRIPTION	-----Q'TY-----						I	P	U	A	R
				(A)	(B)	(C)	(D)	(E)	(F)					
1	.	114780-45100	CASE(D), COOLING FAN	1	1									
2	.	114770-45100	CASE(S), COOLING FAN					1	1					
3	.	114250-45211	COVER, CYLINDER	1	1			1	1					
4	.	114250-45300	RUBBER, CUSHION	4	4			4	4					
5	.	114250-45310	COLLAR	4	4			4	4					
6	.	114250-45330	SEAL, FAN CASE	1	1			1	1					
7	.	160120-76940	WASHER	4	4			4	4					
8	.	26476-060142	BOLT M 6X 14,TAPPING	1	1			1	1					
9	.	26476-060252	BOLT M 6X 25,TAPPING	4	4			4	4					
11A	.	714260-76810	RECOIL STARTER(D)ASY	1	1									
11B	.	714250-76810	RECOIL STARTER(S)ASY					1	1					
12A	..	714260-76820	RECOIL STARTER(D)ASY	1										
12A-1	..	714260-76821 (B=X)	RECOIL STARTER(D)ASY	1	1							N		
12B	..	714250-76820	RECOIL STARTER(S)ASY					1						
12B-1	..	714250-76821	RECOIL STARTER(S)ASY					1	1			N		
13	...	714260-76830	CASE (D) W/LABEL	1										
13-1	...	714260-76831 (B=X)	CASE (D) W/LABEL	1	1							N		
14	...	714250-76830	CASE (S) W/LABEL					1						
14-1	...	714250-76831	CASE (S) W/LABEL					1	1			N		
17	114250-07350	LABEL, DIESEL	1	1			1	1					
18	...	160260-76520	REEL, RECOIL	1	1			1	1					
19	...	160260-76530	RATCHET	1	1			1	1					
20	...	160260-76540	SPRING, SPIRAL	1	1			1	1					
21	...	160260-76550	WASHER, THRUST	1	1			1	1					
22	...	160260-76560	SPRING, FRICTION	1	1			1	1					
23	...	160290-76570	SPRING, RETURN	1	1									
24	...	160260-76570	SPRING, RETURN					1	1					
25	...	160260-76580	COVER, SPRING	1	1			1	1					
26	...	160260-76590	PLATE, FRICTION	1	1			1	1					
27	...	160260-76600	CIRCLIP(E)	1	1			1	1					
29	...	160260-76620	KNOB, STARTER	1	1			1	1					
30	...	160260-76630	ROPE, STARTER	1	1			1	1					
31	..	114250-76590	PULLEY, STARTER	1	1			1	1					
32	.	114250-76600	PLUNGER	1	1			1	1					
33	.	114250-76610	HOLDER, PLUNGER	1	1			1	1					
34	.	26106-060082	BOLT M 6X 8 PLATED	4	4			4	4					
35	.	26106-060122	BOLT M 6X 12 PLATED	3	3			3	3					

----- REMARKS -----

Fig. 8 FUEL INJECTION PUMP & VALVE

SPEC. CODE
D14250-51200
D14250-53101
D14260-51100



+-----+
 I 1B11 I
 I(1802)I
 +-----+
 Y00R3981

(8) FUEL INJECTION PUMP & VALVE

91.07.02

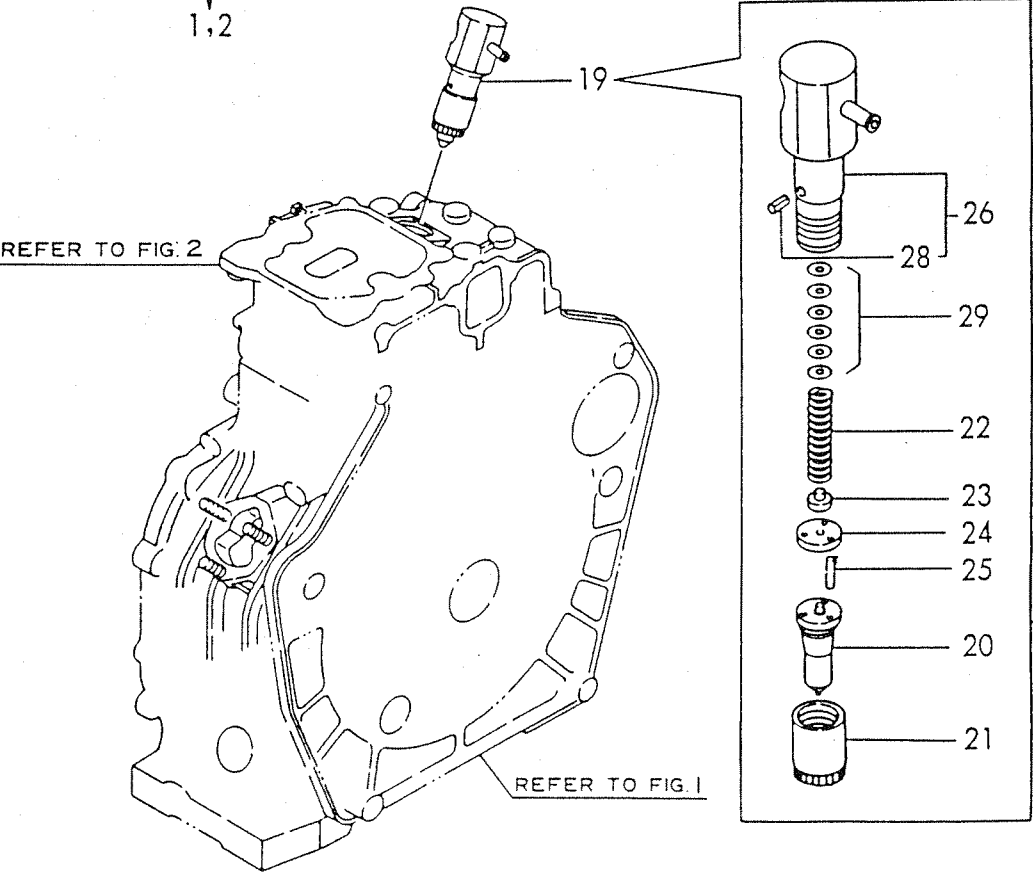
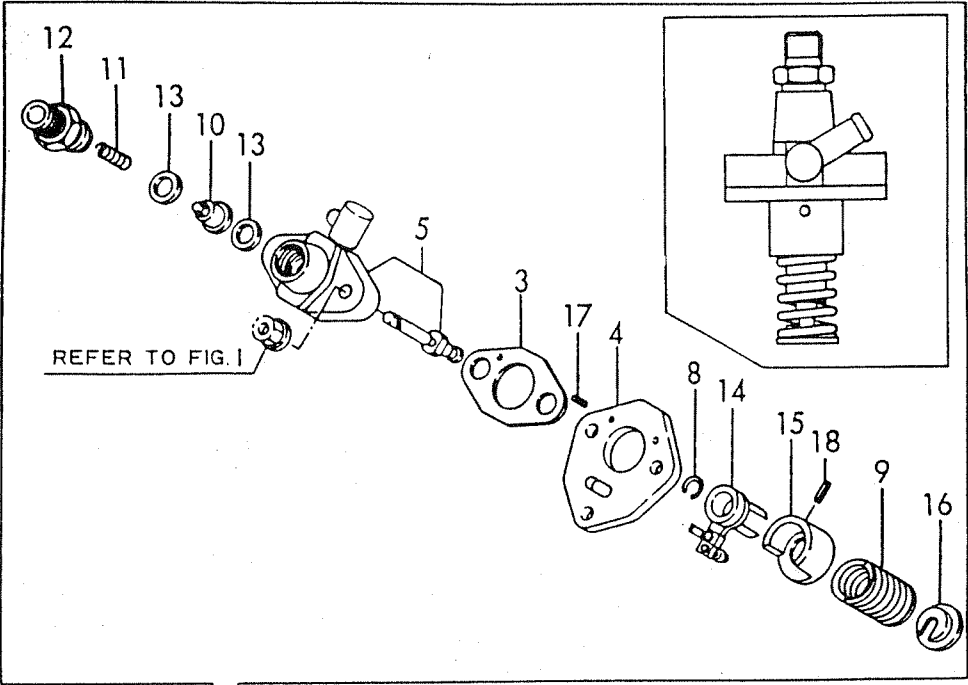
(A)= (D)=
 (B)=L40AE-D/DE (E)=L40AE-S/SE
 (C)=L48AE-D/DE (F)=L48AE-S/SE

REF. NO.	LEV. 0	PART NO.	DESCRIPTION	-----Q'TY-----						I	P	U	A	R
				(A)	(B)	(C)	(D)	(E)	(F)					
1	.	714250-51710	PUMP ASSY, F.INJECT.	1				1						
2	.	714770-51700	PUMP ASSY. F.INJECT.			1							1	
3	..	105546-51020	GASKET	1	1			1	1					
4	..	114250-51080	PLATE	1	1			1	1					
5	..	114250-51200	BODY, F.I. PUMP	1	1			1	1					
8	..	114250-51150	SNAP RING	1	1			1	1					
9	..	114250-51160	SPRING	1	1			1	1					
10	..	114250-51300	VALVE ASSY, DELIVERY	1	1			1	1					
11	..	105546-51330	SPRING, DELIV. VALVE	1	1			1	1					
12	..	114250-51340	HOLDER, F.I.P.DELIVE	1	1			1	1					
13	..	124550-51350	GASKET, DELIVERY	2	2			2	2					
14	..	114250-51600	LEVER ASSY, CONTROL	1	1			1	1					
15	..	114250-51640	SEAT (A), SPRING	1	1			1	1					
16	..	114250-51650	SEAT (B), SPRING	1	1			1	1					
17	..	22351-020006	SPRING PIN 2X 6	2	2			2	2					
18	..	22351-030008	SPRING PIN 3X 8	1	1			1	1					
19	.	714250-53101	VALVE ASSY, F.INJECT	1	1			1	1					
20	..	114250-53001	NOZZLE ASSY, F.INJECT	1	1			1	1					
21	..	114250-53080	NUT, NOZZLE CASE	1	1			1	1					
22	..	114250-53120	SPRING, NOZZLE	1	1			1	1					
23	..	114250-53130	SEAT, NOZZLE SPRING	1	1			1	1					
24	..	114250-53140	PLATE, STOP	1	1			1	1					
25	..	114250-53210	PIN	2	2			2	2					
26	..	114250-53300	HOLDER ASSY, NOZZLE	1	1			1	1					
28	...	114250-53331	PIN, SPRING	1	1			1	1					
29	..	114250-53400	SHIM PACK	1	1			1	1					

----- REMARKS -----

SPEC. CODE
D83250-51400
D83350-51400
D14250-53101
D14350-53100

Fig. 9 FUEL INJECTION PUMP & VALVE



+-----+
 | 1B12 |
 | (1B02) |
 +-----+
 YOOR3981

(9) FUEL INJECTION PUMP & VALVE

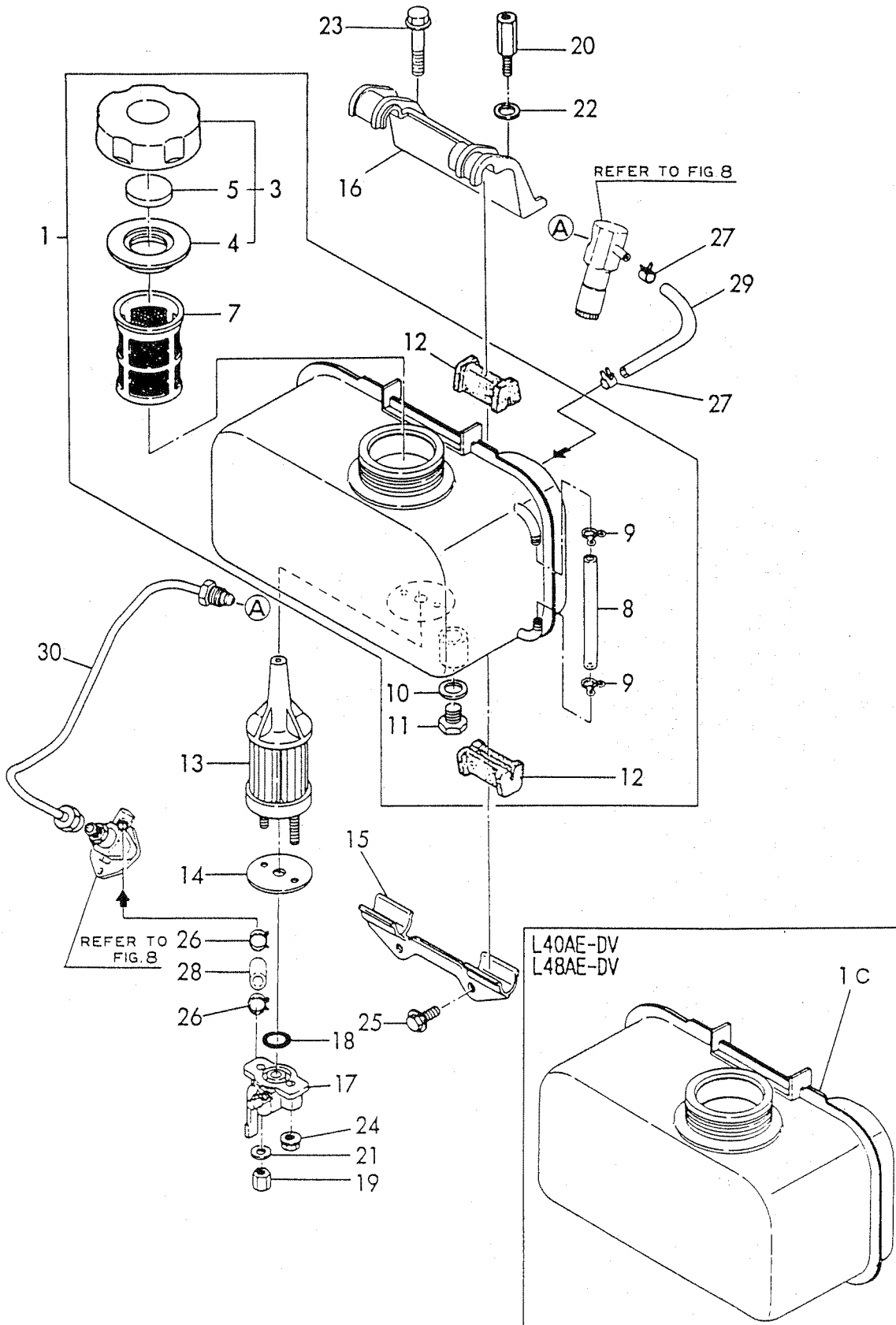
(A)= (D)=
 (B)=L40AE-D(E)TM(E)=L40AE-S(E)TM
 (C)=L48AE-D(E)TM(F)=L48AE-S(E)TM

REF. NO.	LEV. 0	PART NO.	DESCRIPTION	-----Q'TY-----						I P/U A R
				(A)	(B)	(C)	(D)	(E)	(F)	
1	.	783250-51740	PUMP ASSY. F.INJECT.	1				1		
2	.	714770-51740	PUMP ASSY. F.INJECT.			1			1	
3	..	105546-51020	GASKET	1	1			1	1	
4	..	114250-51080	PLATE	1	1			1	1	
5	..	183250-51400	BODY, F. I. PUMP	1	1			1	1	
8	..	114250-51150	SNAP RING	1	1			1	1	
9	..	114250-51160	SPRING	1	1			1	1	
10	..	114250-51300	VALVE ASSY, DELIVERY	1	1			1	1	
11	..	105546-51330	SPRING, DELIV. VALVE	1	1			1	1	
12	..	114250-51340	HOLDER, F.I.P.DELIVE	1	1			1	1	
13	..	124550-51350	GASKET, DELIVERY	2	2			2	2	
14	..	114250-51600	LEVER ASSY, CONTROL	1	1			1	1	
15	..	114250-51640	SEAT (A), SPRING	1	1			1	1	
16	..	114250-51650	SEAT (B), SPRING	1	1			1	1	
17	..	22351-020006	SPRING PIN 2X 6	2	2			2	2	
18	..	22351-030008	SPRING PIN 3X 8	1	1			1	1	
19	.	714250-53101	VALVE ASSY, F.INJECT	1	1			1	1	
20	..	114250-53001	NOZZLE ASSY, F.INJECT	1	1			1	1	
21	..	114250-53080	NUT, NOZZLE CASE	1	1			1	1	
22	..	114250-53120	SPRING, NOZZLE	1	1			1	1	
23	..	114250-53130	SEAT, NOZZLE SPRING	1	1			1	1	
24	..	114250-53140	PLATE, STOP	1	1			1	1	
25	..	114250-53210	PIN	2	2			2	2	
26	..	114250-53300	HOLDER ASSY, NOZZLE	1	1			1	1	
28	...	114250-53331	PIN, SPRING	1	1			1	1	
29	..	114250-53400	SHIM PACK	1	1			1	1	

----- REMARKS -----+-----

Fig. 10 FUEL TANK & FUEL LINE

SPEC. CODE
D14250-55100
D14250-59100
D14254-55130



+-----+
 I 1B13 I
 I (1B02) I
 +-----+
 Y00R3981

(10) FUEL TANK & FUEL PIPE

(A)= (D)=
 (B)=L40AE-D/DE (E)=L40AE-S/SE
 (C)=L48AE-D/DE (F)=L48AE-S/SE

REF. NO.	LEV. 0	PART NO.	DESCRIPTION	-----Q'ITY-----						I P/U A R
				(A)	(B)	(C)	(D)	(E)	(F)	
1A	.	714250-55711	TANK ASSY.FUEL(D/S	1	1			1	1	
1B	.	714268-55721	TANK ASSY.FUEL(DGMO	1						(#)
1C	.	714268-55751	TANK ASSY, FUEL(DV)	1	1					(Y)
1D	.	714258-55701	TANK ASSY.FUEL(DF/SF	1	1			1	1	(T)
3	..	114250-55041	CAP, TANK	1	1			1	1	
4	...	114250-55050	GASCET, TANK CAP	1	1			1	1	
5	...	114250-55060	SEAL	1	1			1	1	
7	..	114250-55100	FILTER, FUEL	1	1			1	1	
8	..	114250-55150	PIPE, GAUGE	1	1			1	1	
9	..	124722-59050	CLAMP 9	2	2			2	2	
10	..	23414-120000	GASKET 12, ROUND	1	1			1	1	
11	..	23887-120002	PLUG 12,HEX.	1	1			1	1	
12	..	114250-55201	DAMPER, FUEL TANK	4	4			4	4	
13	.	114250-55120	FILTER, FUEL OIL	1	1			1	1	
14	.	114250-55130	GASKET	1	1			1	1	
15	.	114250-55211	STAY (A)	1	1			1	1	
16	.	114250-55231	STAY (B)	1	1			1	1	
17	.	114250-55300	COCK ASSY, FUEL	1	1			1	1	
18	.	24341-000150	O-RING 1A S-15.0	1	1			1	1	
19	.	114252-55800	NUT	1	1			1	1	
20	.	114650-55810	BOLT, LIFTING	1	1			1	1	
21	.	22117-060000	WASHER 6	1	1			1	1	
22	.	22117-080000	WASHER 8	1	1			1	1	
23	.	26106-080452	BOLT M 8X 45 PLATED	1	1			1	1	
24	.	26366-060002	NUT M 6	1	1			1	1	
25	.	26476-060142	BOLT M 6X 14,TAPPING	2	2			2	2	
26	.	106990-44660	BAND, HOSE	2	2			2	2	
27	.	124722-59050	CLAMP 9	2	2			2	2	
28	.	114250-59050	PIPE, FUEL OIL	1	1			1	1	
29	.	114250-59060	PIPE, FUEL RETURN	1	1			1	1	
30	.	114250-59800	PIPE, FUEL INJECTION	1	1			1	1	

----- REMARKS -----
 I (Y) FOR L40AE/48AE-D(E)V
 I (#) FOR L40AE-DGMO/DEGMO
 I (T) FOR L40AE/48AE-D(E)F/S(E)F

+-----+
 I 1B14 I
 I(1B02)I
 +-----+
 YOOR3981

(11) FUEL TANK & FUEL PIPE

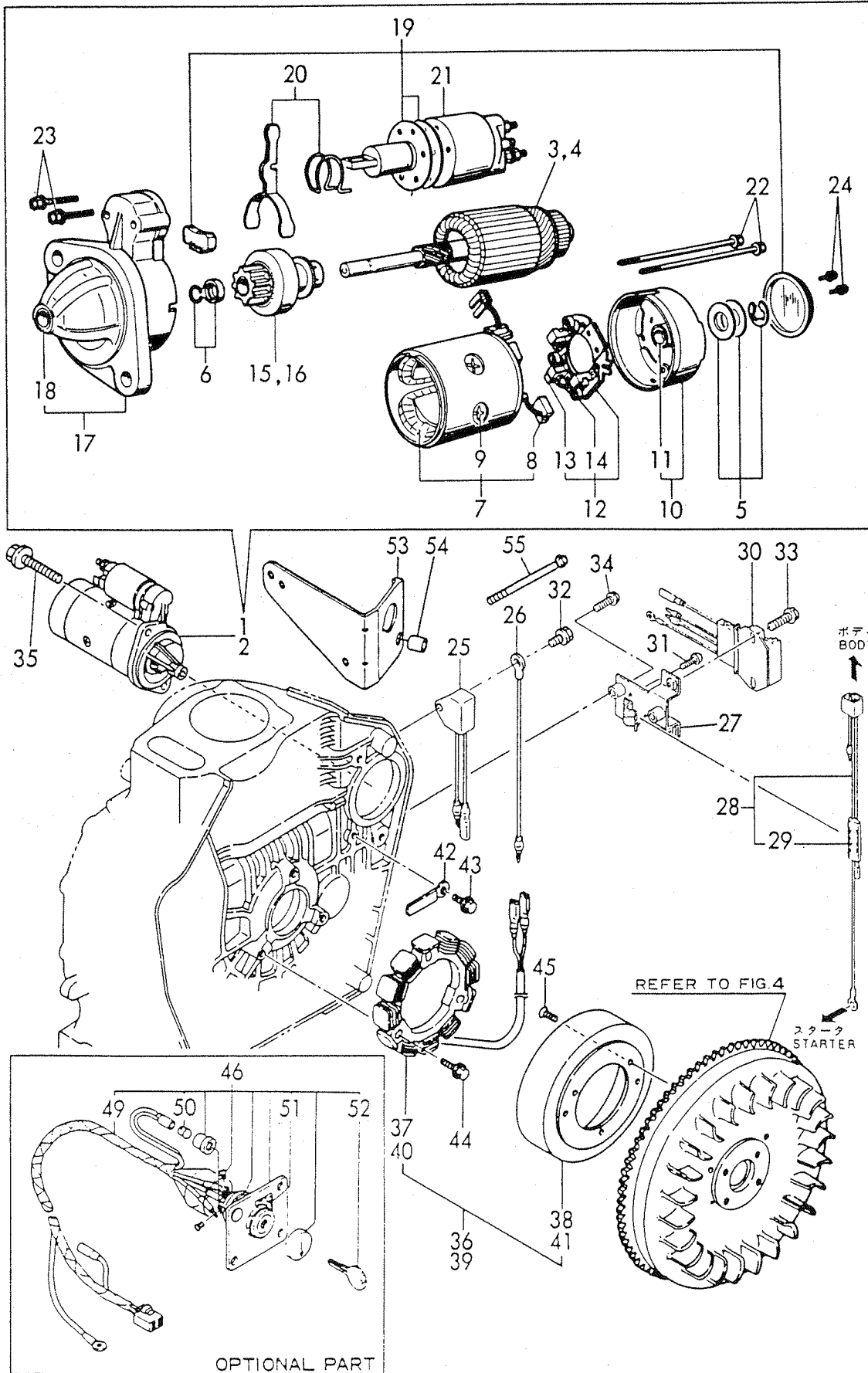
91.07.02

(A)= (D)=
 (B)=L40AE-D(E)TM(E)=L40AE-S(E)TM
 (C)=L48AE-D(E)TM(F)=L48AE-S(E)TM

REF. NO.	LEV. 0	PART NO.	DESCRIPTION	-----Q'TY----- I P/U A R					
				(A)	(B)	(C)	(D)	(E)	(F)
1	.	714268-55701	TANK ASSY.(DTM/STM)	1	1			1	1
3	..	114250-55041	CAP, TANK	1	1			1	1
4	...	114250-55050	GASCET, TANK CAP	1	1			1	1
5	...	114250-55060	SEAL	1	1			1	1
7	..	114250-55100	FILTER, FUEL	1	1			1	1
8	..	114250-55150	PIPE, GAUGE	1	1			1	1
9	..	124722-59050	CLAMP 9	2	2			2	2
10	..	23414-120000	GASKET 12, ROUND	1	1			1	1
11	..	23887-120002	PLUG 12,HEX.	1	1			1	1
12	..	114250-55201	DAMPER, FUEL TANK	4	4			4	4
13	.	114250-55120	FILTER, FUEL OIL	1	1			1	1
14	.	114250-55130	GASKET	1	1			1	1
15	.	114250-55211	STAY (A)	1	1			1	1
16	.	114250-55231	STAY (B)	1	1			1	1
17	.	114250-55300	COCK ASSY, FUEL	1	1			1	1
18	.	24341-000150	O-RING 1A S-15.0	1	1			1	1
19	.	114252-55800	NUT	1	1			1	1
20	.	114650-55810	BOLT, LIFTING	1	1			1	1
21	.	22117-060000	WASHER 6	1	1			1	1
22	.	22117-080000	WASHER 8	1	1			1	1
23	.	26106-080452	BOLT M 8X 45 PLATED	1	1			1	1
24	.	26366-060002	NUT M 6	1	1			1	1
25	.	26476-060142	BOLT M 6X 14,TAPPING	2	2			2	2
26	.	106990-44660	BAND, HOSE	2	2			2	2
27	.	124722-59050	CLAMP 9	2	2			2	2
28	.	114250-59050	PIPE, FUEL OIL	1	1			1	1
29	.	114250-59060	PIPE, FUEL RETURN	1	1			1	1
30	.	114250-59810	PIPE, FUEL INJECTION	1	1			1	1

SPEC. CODE
 D14351-77100 D14353-78310
 D14351-78300 D14362-77100
 D14353-77110 D14654-77140

Fig. 12 STARTING MOTOR & DYNAMO



+-----+
 I 1B15 I
 I (1B02) I
 +-----+
 Y00R3981

(12) STARTING MOTOR & DYNAMO

91.07.02

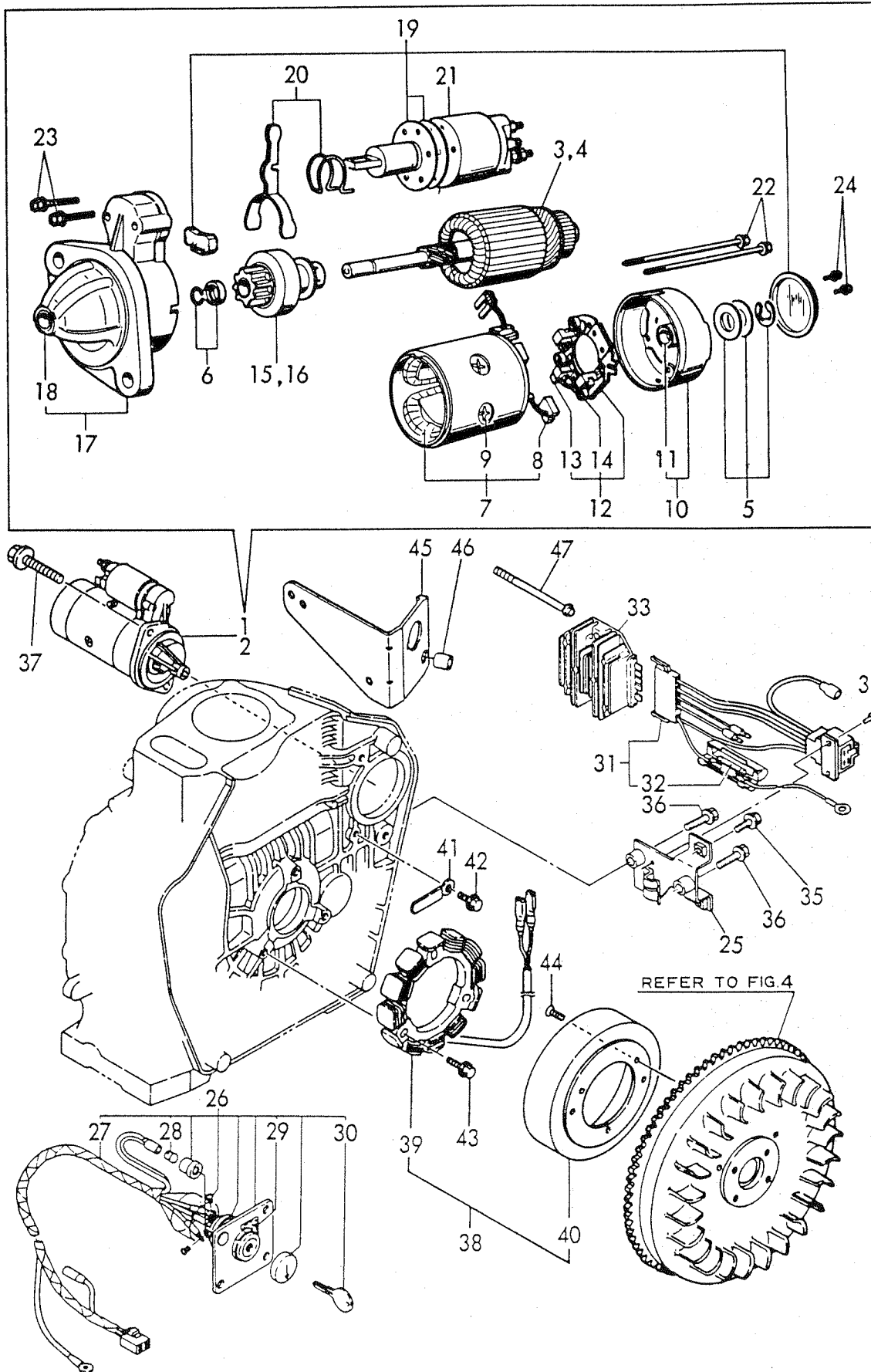
(A)= (D)=
 (B)=L40AE-DE (E)=L40AE-SE
 (C)=L48AE-DE (F)=L48AE-SE

REF. NO.	LEV. 0	PART NO.	DESCRIPTION	-----Q'TY-----						I	P	U	A	R
				(A)	(B)	(C)	(D)	(E)	(F)					
1	.	114362-77010	STARTER (S114-414A)		1	1								
2	.	114351-77010	STARTER (S114-413A)					1	1					
3	..	X211461104	ARMATURE		1	1								
4	..	X211461008	ARMATURE					1	1					
5	..	X21148110	WASHER SET, THRUST		1	1		1	1					
6	..	X21147155	STOPPER SET, PINION		1	1		1	1					
7	..	X211412105	COIL ASSY, FIELD		1	1		1	1					
8	...	X21145312	BRUSH (+)		2	2		2	2					
9	...	X21143215	SCREW, CORE		4	4		4	4					
10	..	X211473002	COVER, REAR		1	1		1	1					
11	...	X21145352	METAL		1	1		1	1					
12	..	X211489001	HOLDER ASSY, BRUSH		1	1		1	1					
13	...	X21148313	BRUSH (-)		1	1		1	1					
14	...	X21149314	SPRING, BRUSH		3	3		3	3					
15	..	X211445508	PINION ASSY		1	1								
16	..	X211445504	PINION ASSY					1	1					
17	..	X211416603	HOUSING ASSY, GEAR		1	1		1	1					
18	...	X21145352	METAL		1	1		1	1					
19	..	X211478006	COVER KIT, DUST		1	1		1	1					
20	..	X211456013	LEVER KIT, SHIFT		1	1		1	1					
21	..	X211427501	SWITCH, MAGNETIC		1	1		1	1					
22	..	X211468005	BOLT, THROUGH		2	2		2	2					
23	..	X21145867	BOLT 6		2	2		2	2					
24	..	X21142835	SCREW SET		1	1		1	1					
25	.	160970-77350	RECTIFIER		1	1		1	1					
26	.	183350-77400	WIRE, LEAD		1	1		1	1					
27	.	114253-77410	BRACKET					1	1					(Y)
I 27-	1	114385-77400	BRACKET					1	1					R
28	.	114253-77491	HARNESS, WIRE											(E=X)
29	..	29411-150000	FUSE (15A), CARTRIDGE					1	1					(Y)
30	.	114253-77520	REGULATOR					2	2					(Y)
31	.	26023-040102	SCREW M 4X 10					1	1					(Y)
32	.	26106-060122	BOLT M 6X 12 PLATED		2	2		2	2					
33	.	26106-060202	BOLT M 6X 20 PLATED		1	1		1	1					
34	.	26106-060252	BOLT M 6X 25 PLATED					2	2					(Y)
I 34-	1	26106-060122	BOLT M 6X 12 PLATED					2	2					N
35	.	26106-100302	BOLT M10X 30 PLATED											(E=X)
36	.	114351-78250	DYNAMO ASSY		2	2		2	2					
37	..	114351-78750	STATOR ASSY		1	1		1	1					
38	..	114351-78760	WHEEL, DYNAMO		1	1		1	1					
39	.	114351-78260	DYNAMO ASSY (12V-3A)					1	1					(Y)
40	..	114351-78770	STATOR ASSY, (132.1MM)					1	1					(Y)
41	..	114351-78780	WHEEL (STATOR 132.1MM)					1	1					(Y)
42	.	160710-78710	CLAMP, CORD		1	1		1	1					
43	.	26476-060142	BOLT M 6X 14, TAPPING		1	1		1	1					
44	.	26476-060202	BOLT M 6X 20, TAPPING		3	3		3	3					
45	.	26577-060142	SCREW M 6X 14		3	3		3	3					
46	.	114351-77500	PANEL ASSY, KEYSWITCH		1	1		1	1					
49	..	114351-77700	HARNESS, WIRE		1	1		1	1					(H)
50	...	29220-083200	BULB (12V/3.4W)		1	1		1	1					(H)
51	..	105198-07120	LABEL, STARTER		1	1		1	1					(H)
52	..	106100-77630	KEY, STARTER		1	1		1	1					(H)
53	.	114351-77620	BRACKET, ST. SWITCH		1	1		1	1					(H)
54	.	114351-77630	WASHER		2	2		2	2					(H)
55	.	26106-060702	BOLT M 6X 70 PLATED		2	2		2	2					(H)

REMARKS
 (Y) FOR L40AE-SEF, L48AE-SEF. (H) OPTIONAL PARTS

Fig. 13 STARTING MOTOR & DYNAMO

SPEC. CODE
D14361-77110
D14654-77140
D14353-78310



+-----+
 I 1C01 I
 I(1B02)I
 +-----+
 Y00R3981

(13) STARTING MOTOR & DYNAMO

91.07.02

(A)= (D)=
 (B)=L40AE-DETM (E)=L40AE-SETM
 (C)=L48AE-DETM (F)=L48AE-SETM

REF. NO.	LEV. 0	PART NO.	DESCRIPTION	-----Q'TY-----						I P/U A R
				(A)	(B)	(C)	(D)	(E)	(F)	
1	.	114362-77010	STARTER (S114-414A)	1	1					
2	.	114351-77010	STARTER (S114-413A					1	1	
3	..	X211461104	ARMATURE	1	1					
4	..	X211461008	ARMATURE					1	1	
5	..	X21148110	WASHER SET, THRUST	1	1			1	1	
6	..	X21147155	STOPPER SET, PINION	1	1			1	1	
7	..	X211412105	COIL ASSY, FIELD	1	1			1	1	
8	...	X21145312	BRUSH (+)	2	2			2	2	
9	...	X21143215	SCREW, CORE	4	4			4	4	
10	..	X211473002	COVER, REAR	1	1			1	1	
11	...	X21145352	METAL	1	1			1	1	
12	..	X211489001	HOLDER ASSY, BRUSH	1	1			1	1	
13	...	X21148313	BRUSH (-)	1	1			1	1	
14	...	X21149314	SPRING, BRUSH	3	3			3	3	
15	..	X211445508	PINION ASSY	1	1					
16	..	X211445504	PINION ASSY					1	1	
17	..	X211416603	HOUSING ASSY, GEAR	1	1			1	1	
18	...	X21145352	METAL	1	1			1	1	
19	..	X211478006	COVER KIT, DUST	1	1			1	1	
20	..	X211456013	LEVER KIT, SHIFT	1	1			1	1	
21	..	X211427501	SWITCH, MAGNETIC	1	1			1	1	
22	..	X211468005	BOLT, THROUGH	2	2			2	2	
23	..	X21145867	BOLT 6	2	2			2	2	
24	..	X21142835	SCREW SET	1	1			1	1	
25	.	114253-77410	BRACKET	1	1			1	1	
I 25- 1	.	114385-77400	BRACKET	1	1			1	1	R
		(B=X)								
26	.	114351-77500	PANEL ASSY,KEYSWITCH	1	1			1	1	
27	..	114351-77700	HARNES, WIRE	1	1			1	1	
28	...	29220-083200	BULB (12V/3.4W)	1	1			1	1	
29	..	105198-07120	LABEL, STARTER	1	1			1	1	
30	..	106100-77630	KEY, STARTER	1	1			1	1	
31	.	114351-77540	HARNES, WIRE	1	1			1	1	
32	..	29411-150000	FUSE (15A),CARTRIDGE	2	2			2	2	
33	.	119660-77710	CURRENT LIMITER	1	1			1	1	
34	.	26023-040102	SCREW M 4X 10	2	2			2	2	
35	.	26106-060202	BOLT M 6X 20 PLATED	2	2			2	2	
36	.	26106-060252	BOLT M 6X 25 PLATED	2	2			2	2	
I 36- 1	.	26106-060122	BOLT M 6X 12 PLATED	2	2			2	2	N
		(B=X)								
37	.	26106-100302	BOLT M10X 30 PLATED	2	2			2	2	
38	.	114351-78260	DYNAMO ASSY (12V-3A)	1	1			1	1	
39	..	114351-78770	STATOR ASSY, (132.1MM	1	1			1	1	
40	..	114351-78780	WHEEL (STATOR132.1MM	1	1			1	1	
41	.	160710-78710	CLAMP, CORD	1	1			1	1	
42	.	26476-060142	BOLT M 6X 14,TAPPING	1	1			1	1	
43	.	26476-060202	BOLT M 6X 20,TAPPING	3	3			3	3	
44	.	26577-060142	SCREW M 6X 14	3	3			3	3	
45	.	114351-77620	BRACKET, ST.SWITCH	1				1		(H)
46	.	114351-77630	WASHER	2				2		(H)
47	.	26106-060702	BOLT M 6X 70 PLATED	2				2		(H)

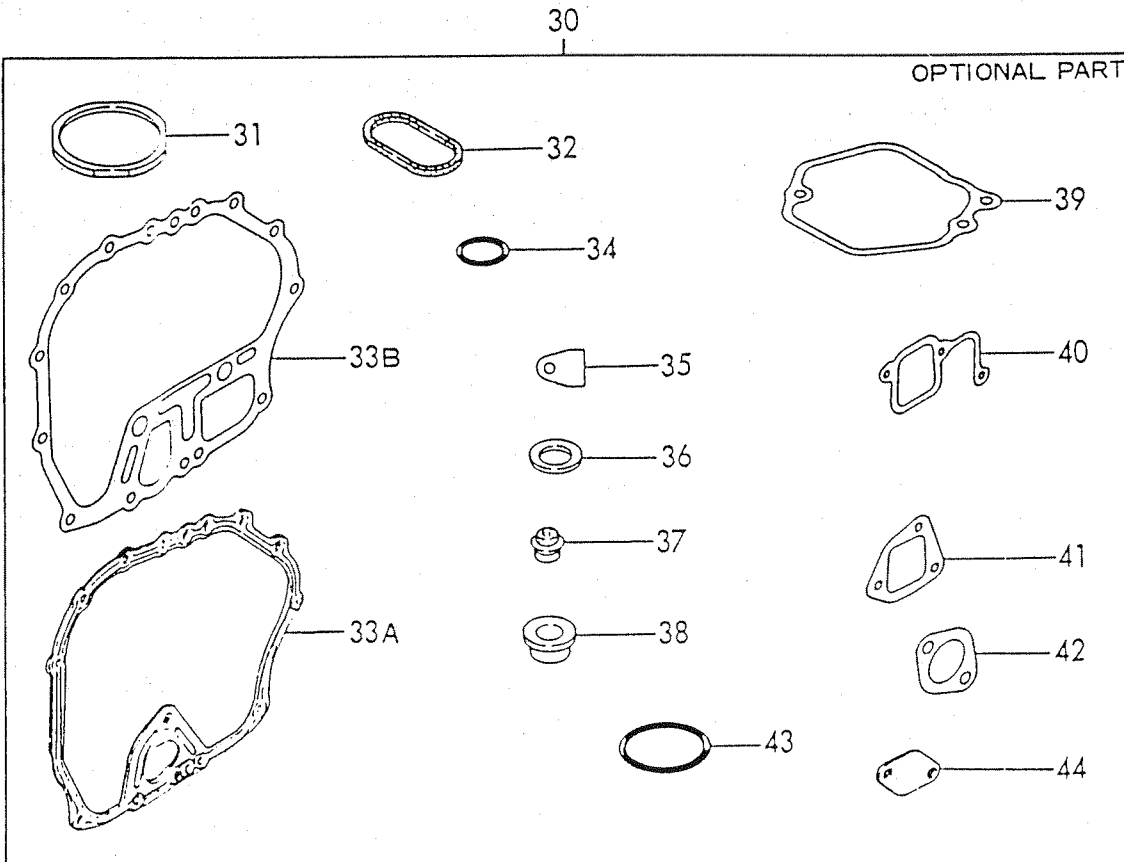
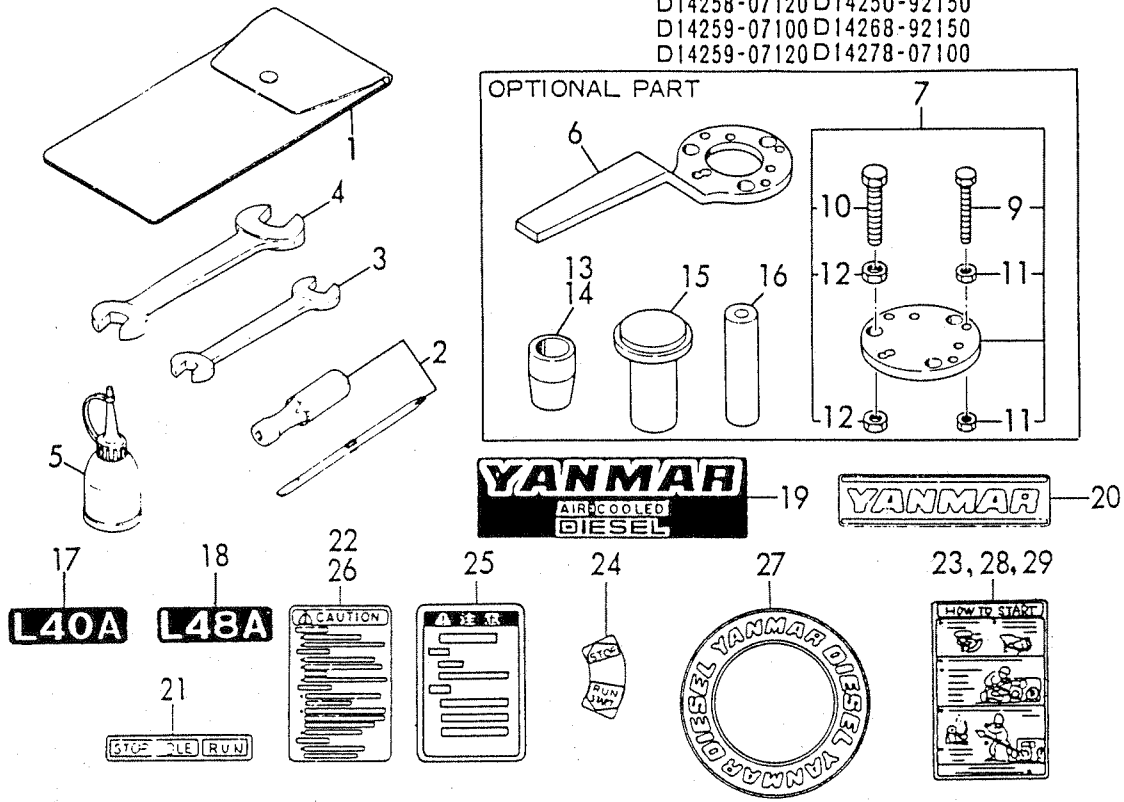
----- REMARKS -----

I(H) OPTIONAL PARTS

Y052302

Fig. 14 TOOL, LABEL & GASKET SET

SPEC. CODE
 D14250-92100 D14268-07100 D14278-07110
 D14250-92150 D14268-07120 D14288-07100
 D14254-07110 D14268-07140 D14288-07110
 D14254-07120 D14268-92150 D14278-07100
 D14254-07130 D14269-07110
 D14258-07110 D14250-92100
 D14258-07120 D14250-92150
 D14259-07100 D14268-92150
 D14259-07120 D14278-07100



+-----+
 I 1C02 I
 I (1B02) I
 +-----+
 Y00R3981

(14) TOOLS / LABELS & GASKET SET

91.07.02

(A)= (D)=
 (B)=L40AE-D/DE (E)=L40AE-S/SE
 (C)=L48AE-D/DE (F)=L48AE-S/SE

REF. NO.	LEV. 0	PART NO.	DESCRIPTION	-----Q'TY-----						I P/U A R
				(A)	(B)	(C)	(D)	(E)	(F)	
1	.	114250-92600	BAG, TOOL	1	1			1	1	
2	.	160330-92730	SCREWDRIVER	1	1			1	1	
3	.	28110-100120	WRENCH 10X12	1	1			1	1	
4	.	28110-140170	WRENCH 14X17	1	1			1	1	
5	.	28210-000150	FEEDER, OIL	1	1			1	1	
6	.	114250-92101	F.W. LOCKING HANDLE	1	1			1	1	(Y)
7	.	114250-92130	REMOVER, FLYWHEEL	1	1			1	1	(Y)
9	..	26116-060454	BOLT M 6X 45 PLATED	4	4			4	4	(Y)
10	..	26116-080454	BOLT M 8X 45 PLATED	3	3			3	3	(Y)
11	..	26716-060002	NUT M 6	8	8			8	8	(Y)
12	..	26716-080002	NUT M 8	6	6			6	6	(Y)
13	.	114268-92300	GUIDE, OIL SEAL	1	1					(Y)
14	.	114250-92301	GUIDE, OIL SEAL					1	1	(Y)
15	.	114250-92311	INSTALLING TOOL	1	1			1	1	(Y)
16	.	114250-92350	INSTALLING TOOL	1	1			1	1	(Y)
17	.	114270-07050	LABEL, (L40A)	1				1		
18	.	114770-07050	LABEL, (L48A)			1			1	
19	.	114250-07090	LABEL, AIR COOLED	1	1			1	1	
20	.	114250-07110	LABEL, YANMAR	1	1			1	1	
21	.	183250-07230	LABEL, OPERATION	1	1			1	1	
22	.	114268-07240	LABEL, CAUTION	1	1			1	1	
23	.	114250-07250	LABEL, HOW TO START	1	1			1	1	
24	.	114250-07260	LABEL, OPERATION	1	1			1	1	
25	.	114268-07260	LABEL, CAUTION	1	1			1	1	
26	.	114268-07280	LABEL, PRECAUTION	1	1					
27	.	114250-07350	LABEL, YANMAR DIESEL	1	1			1	1	
28	.	114268-07350	LABEL, HOW TO START	1	1			1	1	
29	.	114268-07360	LABEL, HOW TO START (F	1	1					
30A	.	714270-92600	GASKET SET	1				1		
30B	.	714770-92600	GASKET SET			1			1	
31A	..	114250-01340	GASKET, CYL. HEAD	1				1		
31B	..	114770-01340	GASKET, CYL. HEAD			1			1	
32	..	114250-01380	O-RING	1	1			1	1	
33A	..	114250-01411	GASKET, CRANK CASE	1	1			1	1	
33B	..	114250-01412	GASKET, CRANK CASE	1	1			1	1	
34	..	24311-000180	O-RING 1A P-18.0	2	2			2	2	
35	..	114250-01840	GASKET	1	1			1	1	
36	..	43400-500490	SEAL WASHER 16	2	2			2	2	
37	..	114250-11340	SEAL, VALVE STEM	2	2			2	2	
38	..	114250-11460	GASKET, NOZZLE	1	1			1	1	
39	..	114250-11310	GASKET, BONNET	1	1			1	1	
40	..	114250-12200	GASKET, AIR INTAKE	1	1			1	1	
41A	..	114250-12210	GASKET, AIR CLEANER	1	1			1	1	
41B	..	114252-12210	GASKET, AIR CLEANER	1	1			1	1	
42	..	114250-13200	GASKET, MUFFLER	1	1			1	1	
43	..	103338-32570	O-RING	1	1			1	1	
44	..	114250-35270	GASKET, L.O. STRAINER					1	1	

----- REMARKS -----
 I (Y) OPTIONAL PARTS

