





# PREFACE

- 1.This Parts Catalog carries all parts incorporated in YANMAR Model L100EE-D & L100EE-DE & L100EE-DG & L100EE-DEG & L100EE-DP & L100EE-DEP engine manufactured since April,2000.
- 2.Each illustration corresponds to the parts list on the following page.
- 3.When ordering parts,clearly write down the engine model and serial number,as well as the name and number of each part in your order sheet. This will help insure reliable delivery of the parts you have ordered.



# How to read this Parts Catalog.

1. Parts mentioned in this Parts Catalog may not necessarily be standard equipping parts.
2. Parts change may be made without prior notice.
3. Form of this Parts Catalog.

Y00F2161 (1997.09.01)

**Fig 29 FUEL INJECTION PUMP (W/BOOST)**

REF.No.	LEV.	PARTS No.	DESCRIPTION	Q'ty						I	R	K
				A	B	C	D	E	F			
1	.	729595-51390	FULE INJECTION PUMP	1	1	1	1	1	1			
1-1	.	729595-51391	FULE INJECTION PUMP	1	1	1	1	1	1			
		(A=E/#00185) (B=E/#00200)										
3	..	26022-060162	SCREW M 6X 16	9	9	9	9	9	9			
I 3-1	..	26022-060162	SCREW M 6X 16	4	4	4	4	4	4			
		(A=E/#00185) (B=E/#00200) (C=E/#00156) (D=E/#00156) (E=E/#00156)										
4	..	129470-51040	CAMSHAFT	1	1	1	1	1	1			
5	..	122710-51050	BEARING ROLLER	2	2	2	2	2	2			
6	..	129470-51060	RETAINER	1	1	1	1	1	1			

**Remarks**  
 (1) BOOST COMPEMSATOR TYPE. OPTIONAL PART, TO E/# 00155,(4JH-DT,4JH-DTZ)

## ① Ref. No.

The Ref. No. in the list may not be accord with the Ref. No. on illustration.

(Ex.) Illustration No.

List head No.

1

1

(Befor change)

→

1

-1

(After change)

When interchangeable symbol N, R, and K, illustrations for new parts are sometimes omitted.

## ② Lev. (Level)

Indication and Meaning of Level

Level : Hereunder is given the relation among the number of dots(·), the level and the nominal parent- child relationship.

• .....Parent parts (Assembly parts)

•• .....Child parts included in "•" (Semi- Assembly parts, component parts of Assembly parts.)

••• .....Child parts included in "••", Grand- child parts in terms of "•".

(Component parts of Semi- Assembly parts.)

Note) A parts of non- sale parts are illustrated but not listed.

## ③ Change Mark

Change Mark "I" is given to the part for which a design change was made at this time.

The design change was not shown in the last published Parts Catalog.

## ④ Interchangeability Mark

In the case where a part change took place, one of the following interchangeability marks is indicated for that part.

Symbol	interchangeability	Contents note
N	Old ↔ New	New Part is interchangeable for Old Part but not interchangeable conversely.
Q	Old ↔ New	New Part is not interchangeable for Old Part but interchangeable conversely.
R	Old ↔ New	New Part is interchangeable for Old Part and vice versa.
S	Old ↔ New	New Part is not interchangeable for Old Part and vice versa.
W		Part newly added.
Z		Part discontinued.
F		Not interchangeable single part but interchangeable by set of the related parts.
K		Changed only in quantity used.

## ⑤ Effective Machine No.

When a part is changed, Effective Machine No. of a Model for which the part is applicable is indication in each column of (A)- (F).

Product Symbol	Product No.	Product Symbol	Product No.
C	Clutch No. Compressor No.	M	Machine No.
D	Drive No.	T	Tractor No.
E	Engine No.	Note1) ※	Date

Note1) Date may follow the symbol in some cases. (Ex.) ※ 1996.01

Note2) As far as engine models shown by "XXX" are concerned, the modification of the parts could not be predicted or the engine models themselves could not be identified.

Note3) (A=E/#00185) means that the design change on the part has been effective for the model at the column (A) (in this case, for 4JH-DT) on and from E/(Engine Serial Number) 00185.

## ⑥ Remarks Mark

Figures or alphabets (Symbols) are entered in the remark column.

The comments (remarks) on the pertinent parts are indicated in the lower part of the list by the same symbols as those stated above.





Y00R5160  
L100EE-D (E)  
L100EE-D (E) 6  
L100EE-D (E) P

# 1. CYLINDER BLOCK

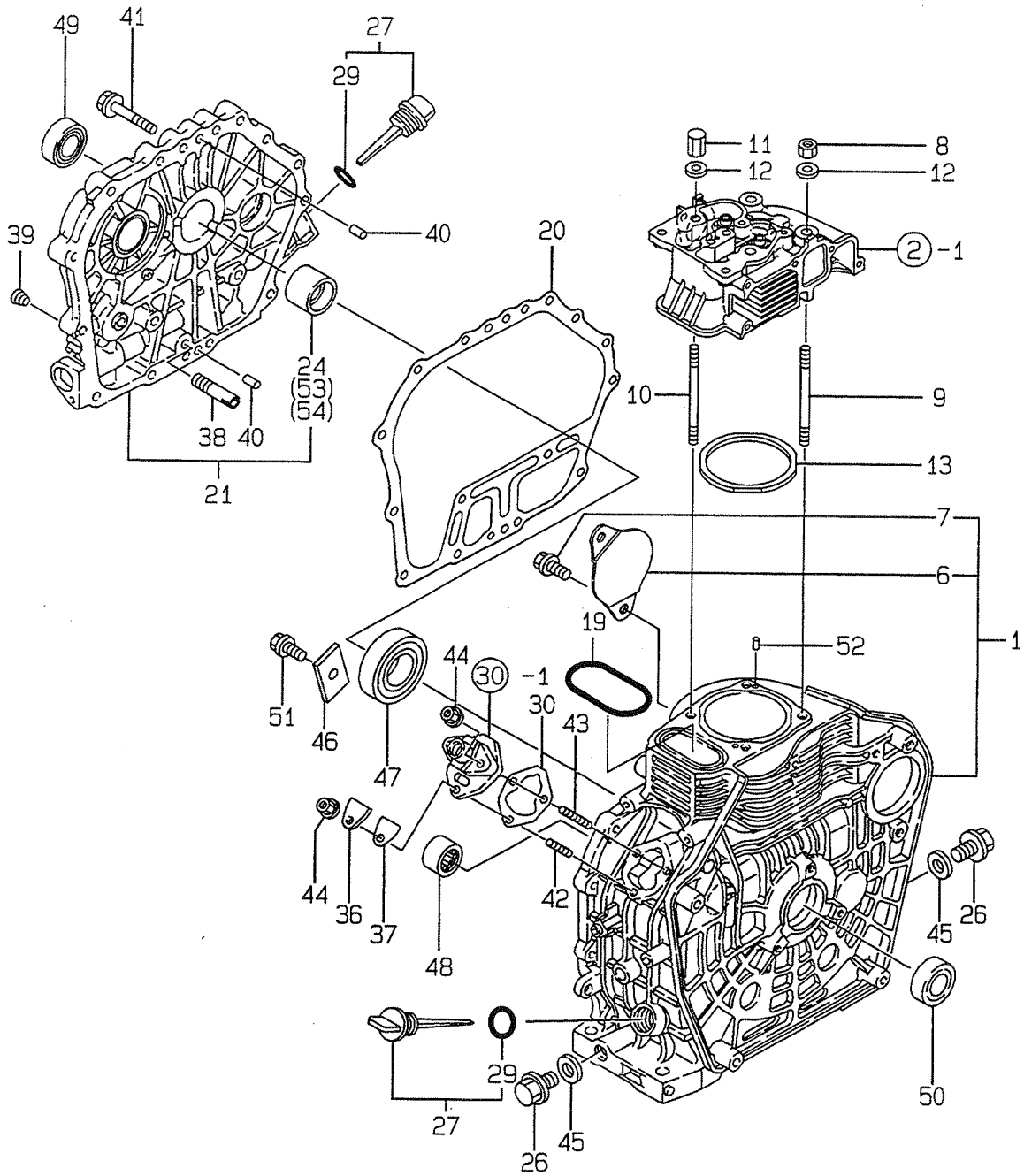




Fig. 1 CYLINDER BLOCK

A= L100EE-D	D= L100EE-DEG
B= L100EE-DE	E= L100EE-DP
C= L100EE-DG	F= L100EE-DEP

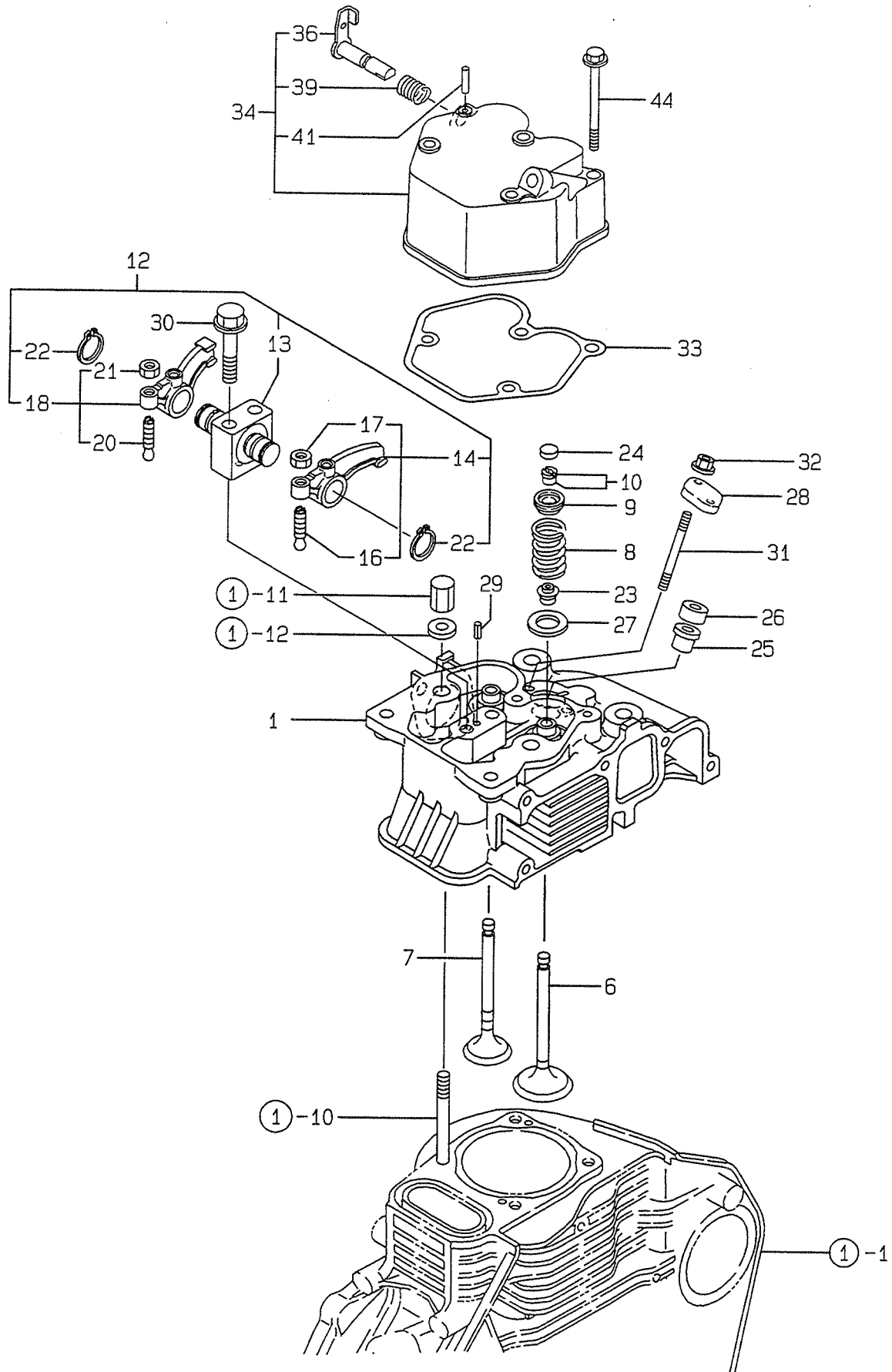
REF.No.	LEV.	O	PARTS No.	DESCRIPTION	Q'ty						I	R
					A	B	C	D	E	F		
1	.		714970 - 01560	BLOCK ASSY, CYLINDER	1	1	1	1	1	1		
6	..		114350 - 01700	COVER, STARTER	1	1	1	1	1	1		
7	..		26106 - 100122	BOLT M10X 12 PLATED	2	2	2	2	2	2		
8	.		105025 - 01220	NUT 10	2	2	2	2	2	2		
9	.		114650 - 01230	STUD, CYL. HEAD	2	2	2	2	2	2		
10	.		114650 - 01240	STUD, CYL. HEAD	2	2	2	2	2	2		
11	.		114650 - 01250	NUT 10	2	2	2	2	2	2		
12	.		114650 - 01260	WASHER	4	4	4	4	4	4		
13	.		114651 - 01330	GASKET,CYL. HEAD CMP	1	1	1	1	1	1		
19	.		114650 - 01380	O - RING	1	1	1	1	1	1		
20	.		114650 - 01412	GASKET, CRANK CASE	1	1	1	1	1	1		
21	.		114660 - 01471	COVER (D),CRANK CASE	1	1	1	1	1	1		
24	..		114650 - 02100	BEARING, MAIN	1	1	1	1	1	1		1
26	.		105425 - 01690	PLUG M16	2	2	2	2	2	2		
27	.		114699 - 01760	CAP, W/LUB.OIL GAUGE	2	2	2	2	2	2		
29	..		114299 - 01950	O - RING	2	2	2	2	2	2		
30	.		114250 - 01800	SHIM SET	1	1	1	1	1	1		
36	.		114250 - 01830	COVER, INSPEC.WINDOW	1	1	1	1	1	1		
37	.		114250 - 01841	GASKET	1	1	1	1	1	1		
38	.		114250 - 35150	PIPE, L.O. INLET	1	1	1	1	1	1		
39	.		23876 - 010000	PLUG PT1/8,SCREW	1	1	1	1	1	1		
40	.		114270 - 01600	PARALLEL PIN 8X12	2	2	2	2	2	2		
41	.		26106 - 080352	BOLT M 8X 35 PLATED	16	16	16	16	16	16		
42	.		26226 - 060182	STUD M 6X 18 PLATED	1	1	1	1	1	1		
43	.		26226 - 060222	STUD M 6X 22 PLATED	2	2	2	2	2	2		
44	.		26366 - 060002	NUT M 6	3	3	3	3	3	3		
45	.		22190 - 160002	SEAL WASHER 16S	2	2	2	2	2	2		
46	.		114299 - 02030	RETAINER	1	1	1	1	1	1		
47	.		114650 - 02150	BALL BEARING	1	1	1	1	1	1		
48	.		24162 - 152112	NEEDLE BEARING	1	1	1	1	1	1		
49	.		24423 - 355008	SEAL, OIL	1	1	1	1	1	1		
50	.		24423 - 355008	SEAL, OIL	1	1	1	1	1	1		
51	.		26106 - 080122	BOLT M 8X 12 PLATED	1	1	1	1	1	1		
52	.		22312 - 040080	PIN 4X8,STRAIGHT	2	2	2	2	2	2		
53	.		114650 - 02200	MAIN BEARING US = 0.25	1	1	1	1	1	1		2
54	.		114650 - 02210	MAIN BEARING US = 0.50	1	1	1	1	1	1		2

**Remarks**

- (1) REPAIR PART.  
(2) UNDER SIZED PART.

Y00P5160  
L100EE-D (E)  
L100EE-D (E) G  
L100EE-D (E) P

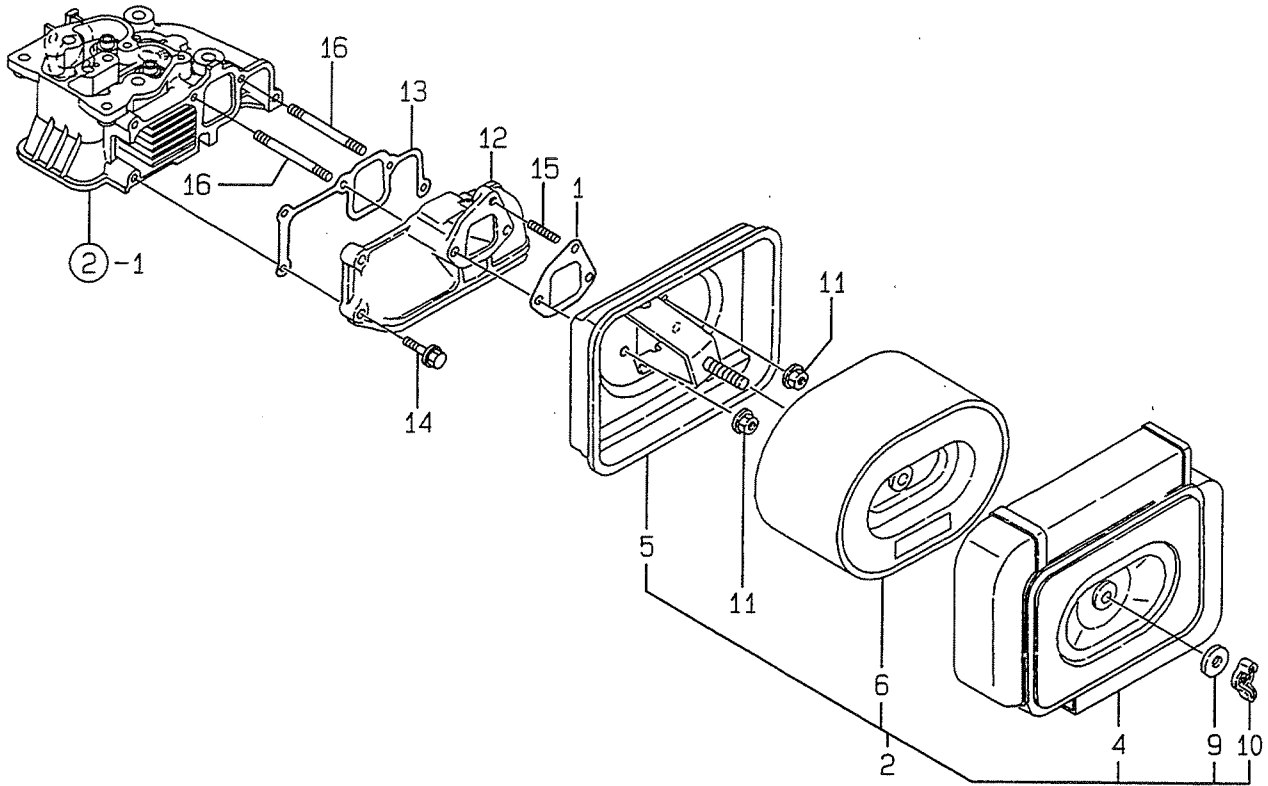
## 2. CYLINDER HEAD & BONNET





Y00R5160  
L100EE-D (E)  
L100EE-D (E) G  
L100EE-D (E) P

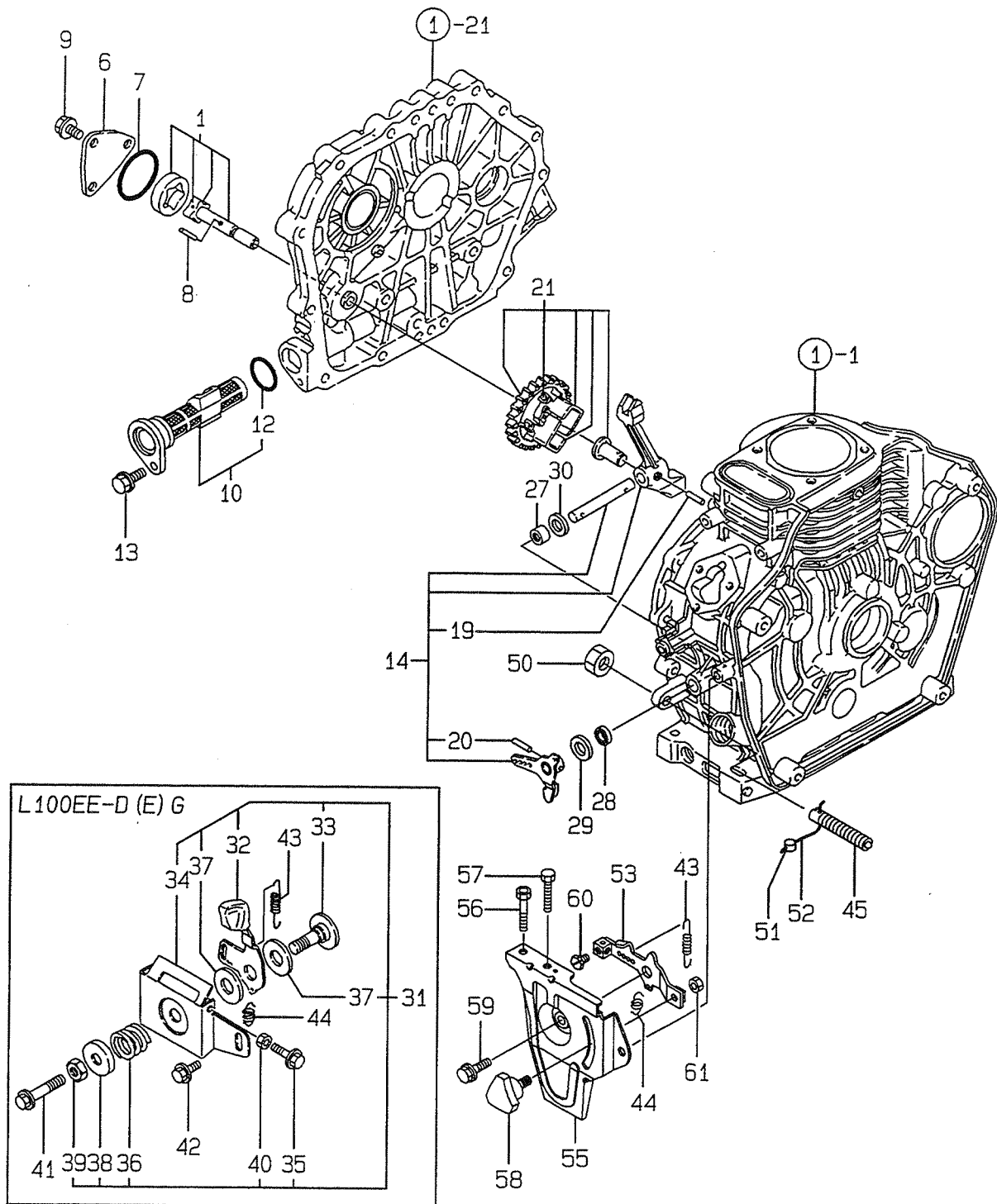
### 3. AIR CLEANER





Y00R5160  
L100EE-D (E)  
L100EE-D (E) G  
L100EE-D (E) P

### 6.LUB.OIL PUMP & GOVERNOR



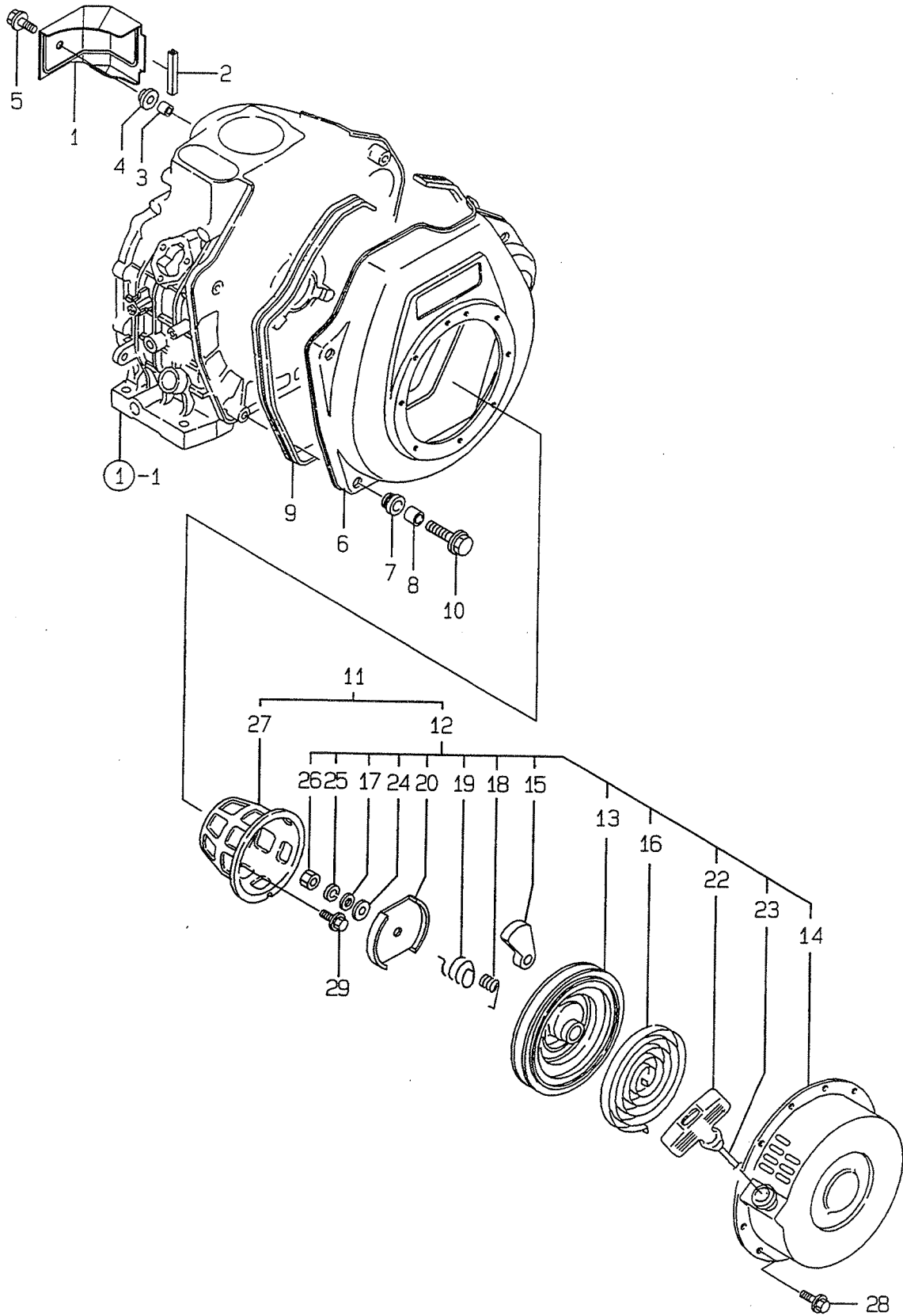
# Fig. 6 LUB.OIL PUMP & GOVERNOR

A= L100EE-D	D= L100EE-DEG
B= L100EE-DE	E= L100EE-DP
C= L100EE-DG	F= L100EE-DEP

REF.No.	LEV.	0	PARTS No.	DESCRIPTION	Q'ty						I	R
					A	B	C	D	E	F		
1	.		114650 - 32010	PUMP ASSY, LUB.OIL	1	1	1	1	1	1		
6	.		114250 - 32070	COVER, LUB. OIL PUMP	1	1	1	1	1	1		
7	.		103338 - 32570	O - RING	1	1	1	1	1	1		
8	.		22312 - 030160	PARALLEL PIN 3X16	1	1	1	1	1	1		
9	.		26476 - 060142	BOLT M 6X 14,TAPPING	3	3	3	3	3	3		
10	.		114250 - 35110	STRAINER, LUB OIL	1	1	1	1	1	1		
12	..		24341 - 000224	O - RING 1A S - 22.4	1	1	1	1	1	1		
13	.		26106 - 060162	BOLT M 6X 16 PLATED	1	1	1	1	1	1		
14	.		714650 - 61500	LEVER ASSY, GOVERNOR	1	1	1	1	1	1		
19	..		22322 - 030200	TAPER PIN 3X20	1	1	1	1	1	1		
20	..		22322 - 030200	TAPER PIN 3X20	1	1	1	1	1	1		
21	.		714685 - 61700	GOVERNOR ASSY	1	1	1	1	1	1		
27	.		114270 - 61520	NEEDLE BEARING FJ810	2	2	2	2	2	2		
28	.		114770 - 61600	SEAL, OIL	1	1	1	1	1	1		
29	.		114770 - 61610	WASHER, THRUST	1	1	1	1	1	1		
30	.		114770 - 61190	WASHER	1	1	1	1	1	1		
31	.		183250 - 66500	STAY, HANDLE			1	1				
32	..		183250 - 66050	HANDLE, REGULATOR			1	1				
33	..		183250 - 66070	SHAFT, HANDLE			1	1				
34	..		183250 - 66100	BRACKET, REGULATOR			1	1				
35	..		114250 - 66440	BOLT, ADJUSTING			1	1				
36	..		104200 - 66820	SPRING			1	1				
37	..		104200 - 66830	PLATE, FRICTION			2	2				
38	..		104200 - 66850	WASHER (B)			1	1				
39	..		26696 - 100002	NUT M10			1	1				
40	..		26757 - 060002	NUT 6			1	1				
41	.		26106 - 060452	BOLT M 6X 45 PLATED			1	1				
42	.		26476 - 060142	BOLT M 6X 14,TAPPING			1	1				
43	.		114970 - 66010	SPRING, REGULATOR	1	1	1	1	1	1		
44	.		114250 - 66200	SPRING, RETURN	1	1	1	1	1	1		
45	.		114651 - 66550	TORQUE SPRING ASSY	1	1	1	1	1	1		
50	.		26696 - 100002	NUT M10	1	1	1	1	1	1		
51	.		135210 - 61090	LEAD	2	2	2	2	2	2		
52	.		22451 - 060000	WIRE 0.6	2	2	2	2	2	2		
53	.		114250 - 66050	HANDLE, REGULATOR	1	1			1	1		
55	.		114299 - 66100	STAY, HANDLE	1	1			1	1		
56	.		114250 - 66440	BOLT, ADJUSTING	1	1			1	1		
57	.		102100 - 67080	BOLT, ADJUSTING	1	1			1	1		
58	.		160725 - 78350	KNOB (W/M6X15)	1	1			1	1		
59	.		26106 - 060142	BOLT M 6X 14 PLATED	1	1			1	1		
60	.		26117 - 040088	BOLT 4 * 8	1	1			1	1		
61	.		26347 - 060002	U - NUT 6	1	1			1	1		

Y00P5160  
L100EE-D (E)  
L100EE-D (E) G  
L100EE-D (E) P

# 7. COOLING & STARTING DEVICE





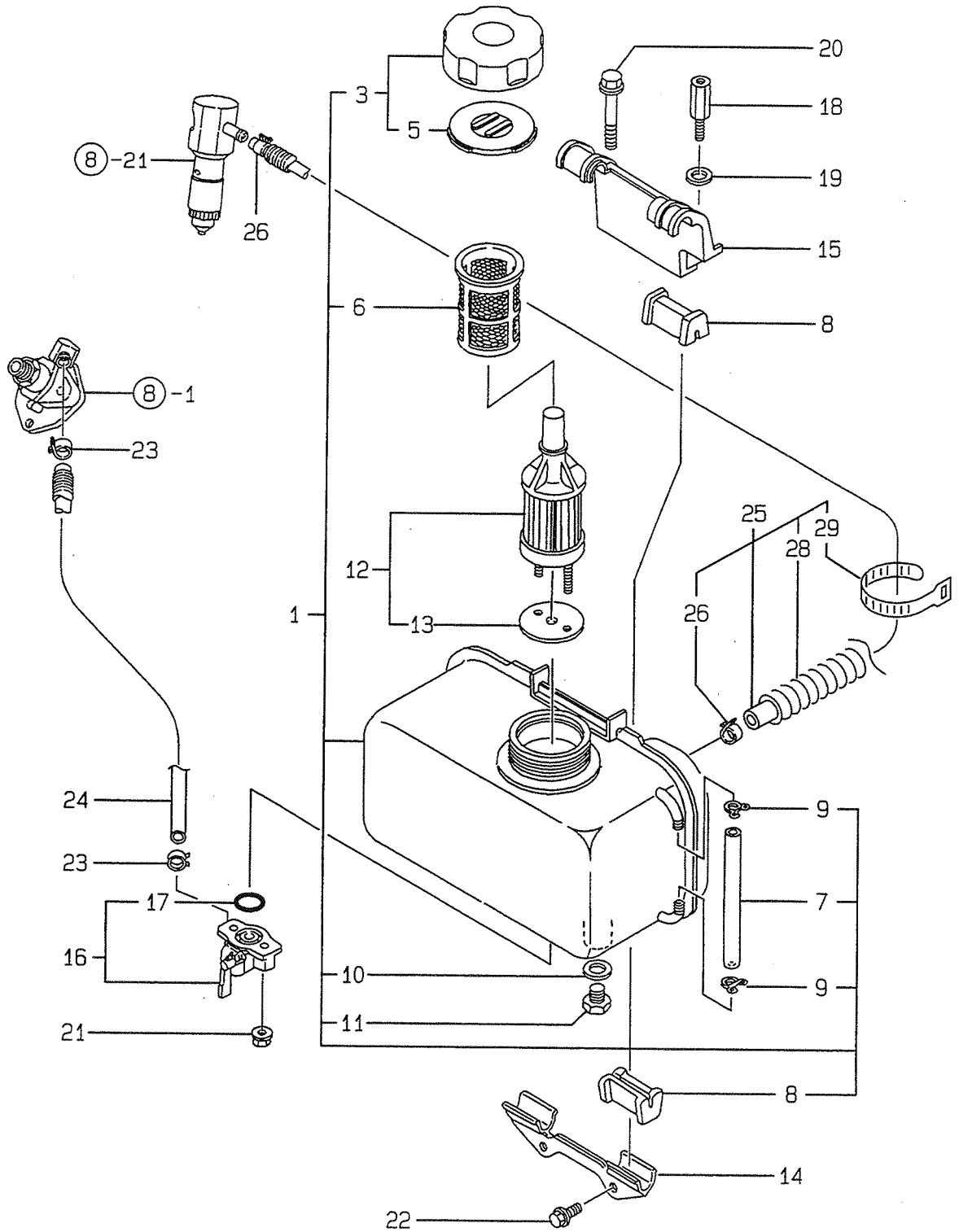






Y00R5160  
L100EE-D (E)  
L100EE-D (E) G  
L100EE-D (E) P

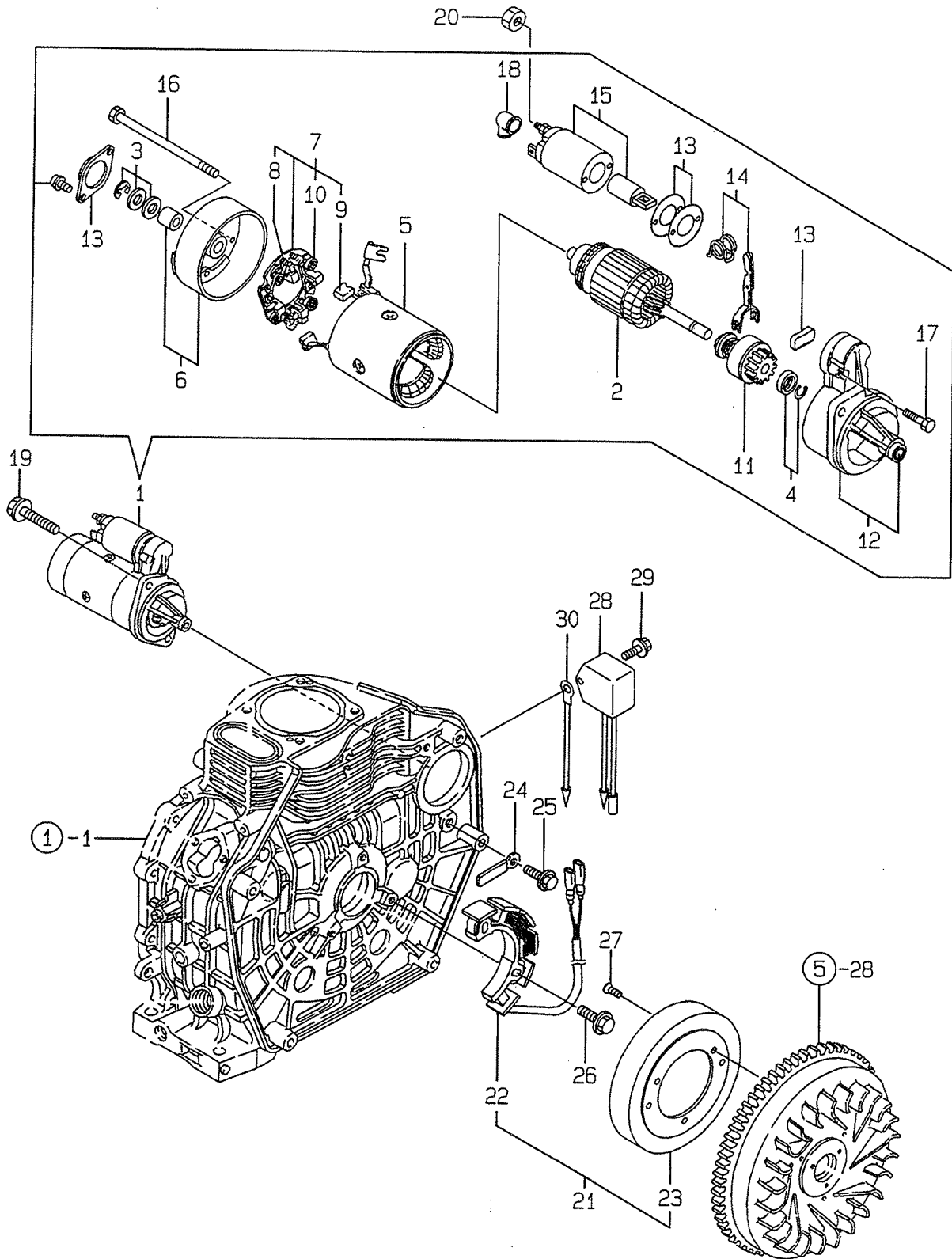
### 9. FUEL TANK & FUEL LINE





Y00R5160  
L100EE-D (E)  
L100EE-D (E) G  
L100EE-D (E) P

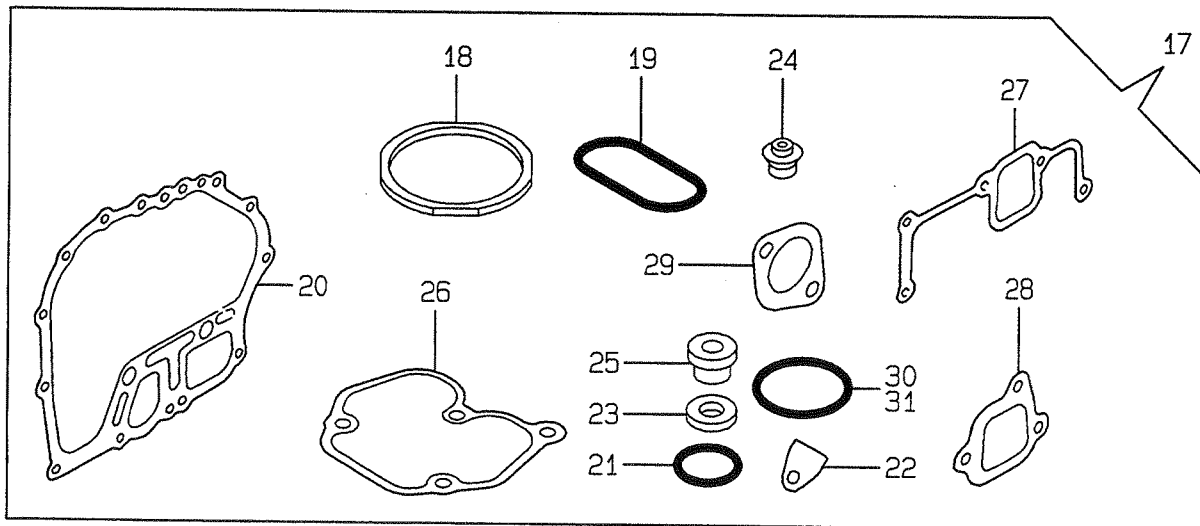
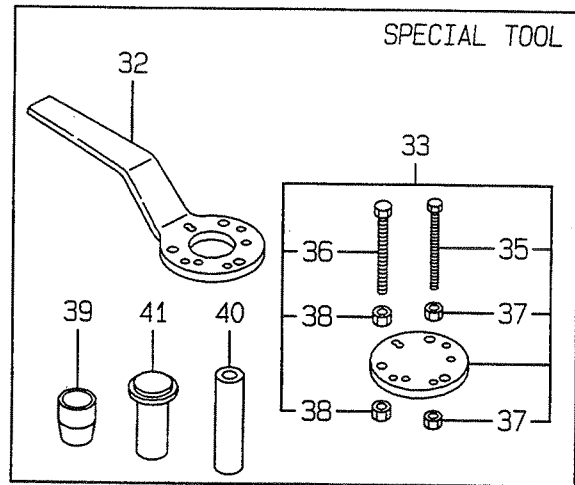
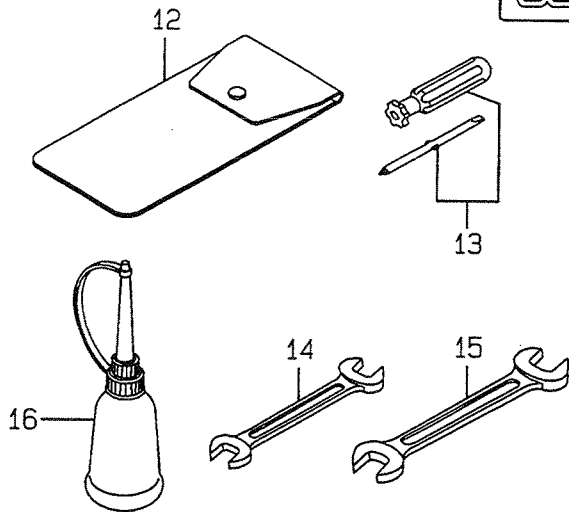
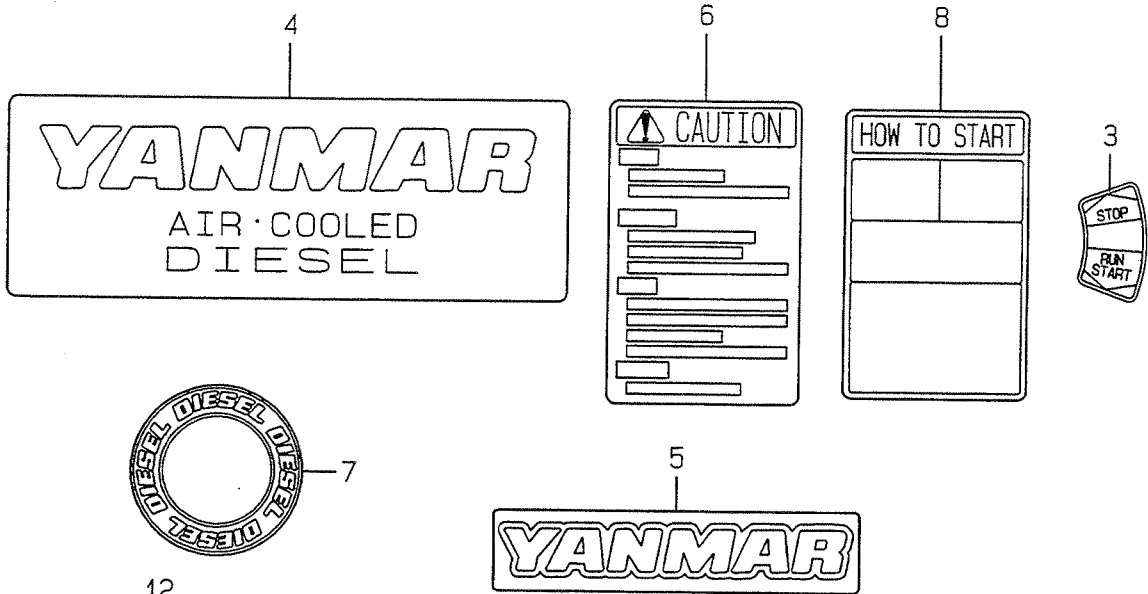
# 10. STARTING MOTOR & DYNAMO





Y00R5160  
L100EE-D (E)  
L100EE-D (E) G  
L100EE-D (E) P

# 11. TOOL, LABEL & GASKET SET





# Fig. 11 TOOL, LABEL & GASKET SET

A= L100EE-D	D= L100EE-DEG
B= L100EE-DE	E= L100EE-DP
C= L100EE-DG	F= L100EE-DEP

REF.No.	LEV.	PARTS No.	DESCRIPTION	Q'ty						I	R
				A	B	C	D	E	F		
3	.	183250 - 07230	LABEL, OPERATION	1	1	1	1	1	1		
4	.	114250 - 07090	LABEL, AIR COOLED	1	1	1	1	1	1		
5	.	114250 - 07111	LABEL, YANMAR	1	1	1	1	1	1		
6	.	114268 - 07240	LABEL, CAUTION	1	1	1	1	1	1		
7	.	114261 - 07350	LABEL	1	1	1	1	1	1		
8	.	114268 - 07350	LABEL, HOW TO START	1	1	1	1	1	1		
12	.	114250 - 92600	BAG, TOOL	1	1	1	1	1	1		
13	.	160330 - 92730	SCREWDRIVER	1	1	1	1	1	1		
14	.	28110 - 100120	WRENCH 10X12	1	1	1	1	1	1		
15	.	28110 - 140170	WRENCH 14X17	1	1	1	1	1	1		
16	.	28210 - 000150	FEEDER, OIL	1	1	1	1	1	1		
17	.	714651 - 92600	GASKET SET	1	1	1	1	1	1	1	
18	..	114651 - 01330	GASKET,CYL. HEAD CMP	1	1	1	1	1	1		
19	..	114650 - 01380	O - RING	1	1	1	1	1	1		
20	..	114650 - 01412	GASKET, CRANK CASE	1	1	1	1	1	1		
21	..	114299 - 01950	O - RING	2	2	2	2	2	2		
22	..	114250 - 01841	GASKET	1	1	1	1	1	1		
23	..	22190 - 160002	SEAL WASHER 16S	2	2	2	2	2	2		
24	..	114650 - 11340	SEAL, VALVE STEM	2	2	2	2	2	2		
25	..	114771 - 11461	GASKET, NOZZLE	1	1	1	1	1	1		
26	..	114651 - 11310	GASKET, BONNET	1	1	1	1	1	1		
27	..	114650 - 12301	GASKET, AIR INTAKE	1	1	1	1	1	1		
28	..	114650 - 12211	GASKET, AIR CLEANER	1	1	1	1	1	1		
29	..	114650 - 13201	GASKET (NON - ASB.)	1	1	1	1	1	1		
30	..	103338 - 32570	O - RING	1	1	1	1	1	1		
31	..	24341 - 000224	O - RING 1A S - 22.4	1	1	1	1	1	1		
32	.	114250 - 92101	F.W. LOCKING HANDLE	1	1	1	1	1	1	1	
33	.	114250 - 92130	REMOVER, FLYWHEEL	1	1	1	1	1	1	1	
35	..	26116 - 060454	BOLT M 6X 45 PLATED	4	4	4	4	4	4	1	
36	..	26116 - 080454	BOLT M 8X 45 PLATED	3	3	3	3	3	3	1	
37	..	26716 - 060002	NUT 6	8	8	8	8	8	8	1	
38	..	26716 - 080002	NUT M 8	6	6	6	6	6	6	1	
39	.	114668 - 92300	GUIDE, OIL SEAL	1	1	1	1	1	1	1	
40	.	114650 - 92310	INSTALLING TOOL	1	1	1	1	1	1	1	
41	.	114650 - 92350	INSTALLING TOOL	1	1	1	1	1	1	1	

**Remarks**

(1) OPTIONAL PARTS.



# PARTS No. INDEX

All parts of this Parts Catalog is arranged by Part No. order  
(depending on the spot where the model is used).

If you want to know by Part No. where your object part is used,  
please use this Parts Catalog.



MODEL : L100EE-D(E),D(E)G,D(E)P  
PC No. : Y00R5160

PARTS No. INDEX

PARTS No.	Fig.	Ref.No.	PARTS No.	Fig.	Ref.No.	PARTS No.	Fig.	Ref.No.	PARTS No.	Fig.	Ref.No.
102100 - 67080	6	57	114250 - 92101	11	32	114650 - 11600	2	27	114668 - 45102	7	6
103338 - 32570	6	7	114250 - 92130	11	33	114650 - 12211	3	1	114668 - 92300	11	39
103338 - 32570	11	30	114250 - 92600	11	12	114650 - 12211	11	28	114699 - 01760	1	27
103854 - 55220	9	9	114252 - 12550	3	10	114650 - 12301	3	13	114699 - 12020	3	12
104200 - 66820	6	36	114252 - 12560	3	9	114650 - 12301	11	27	114699 - 22300	5	41
104200 - 66830	6	37	114261 - 07350	11	7	114650 - 12520	3	4	114699 - 55230	9	15
104200 - 66850	6	38	114268 - 07240	11	6	114650 - 12530	3	5	114770 - 61190	6	30
104211 - 11370	2	24	114268 - 07350	11	8	114650 - 12590	3	6	114770 - 61600	6	28
105025 - 01220	1	8	114270 - 01600	1	40	114650 - 13201	4	1	114770 - 61610	6	29
105300 - 23200	5	47	114270 - 61520	6	27	114650 - 13201	11	29	114770 - 61610	6	29
105300 - 55080	9	11	114288 - 55040	9	3	114650 - 14200	5	6	114771 - 11461	2	25
105425 - 01690	1	26	114288 - 55080	9	5	114650 - 14401	5	8	114771 - 11461	11	25
105546 - 51020	8	2	114299 - 01950	1	29	114650 - 21551	5	8	114771 - 11470	2	26
105546 - 51330	8	14	114299 - 01950	11	21	114650 - 32010	5	25	114771 - 14260	5	7
106990 - 44660	9	23	114299 - 02030	1	46	114650 - 45201	7	1	114775 - 53100	8	28
114250 - 01800	1	30	114299 - 55210	9	14	114650 - 45330	7	9	114775 - 53140	8	26
114250 - 01830	1	36	114299 - 66100	6	55	114650 - 51300	8	11	114775 - 53210	8	27
114250 - 01841	1	37	114350 - 01700	1	6	114650 - 55150	9	7	114775 - 53330	8	31
114250 - 01841	11	22	114350 - 45320	7	2	114650 - 55810	9	18	114970 - 13550	4	2
114250 - 03591	2	36	114350 - 45340	7	3	114650 - 59850	8	45	114970 - 13560	4	4
114250 - 03640	2	39	114351 - 78251	10	21	114650 - 76520	7	13	114970 - 13700	4	5
114250 - 07090	11	4	114351 - 78751	10	22	114650 - 76540	7	16	114970 - 13710	4	6
114250 - 07111	11	5	114351 - 78761	10	23	114650 - 92310	11	40	114970 - 51100	8	4
114250 - 11240	2	16	114362 - 77011	10	1	114651 - 01330	11	41	114970 - 66010	6	43
114250 - 11240	2	20	114370 - 45351	7	10	114651 - 01330	1	13	119593 - 53080	8	23
114250 - 11901	2	28	114371 - 77160	10	7	114651 - 01330	11	18	119593 - 53130	8	25
114250 - 12300	3	11	114371 - 77170	10	13	114651 - 11020	2	1	119620 - 11180	2	9
114250 - 32070	6	6	114371 - 79040	10	8	114651 - 11100	2	6	121750 - 59890	9	29
114250 - 35110	6	10	114371 - 79050	10	9	114651 - 11110	2	7	122710 - 01220	5	12
114250 - 35150	1	38	114371 - 79060	10	10	114651 - 11250	2	12	124060 - 23100	5	46
114250 - 45301	7	7	114371 - 79070	10	17	114651 - 11260	2	13	124550 - 51350	8	16
114250 - 45310	7	8	114381 - 77110	10	2	114651 - 11310	2	33	124722 - 59050	9	26
114250 - 51080	8	3	114381 - 77130	10	5	114651 - 11310	11	26	129792 - 22400	5	42
114250 - 51160	8	10	114381 - 77140	10	6	114651 - 11650	2	14	135210 - 61090	6	51
114250 - 51340	8	15	114381 - 77150	10	12	114651 - 11660	2	18	160260 - 01580	4	3
114250 - 51600	8	17	114650 - 01230	1	9	114651 - 11950	2	34	160330 - 92730	11	13
114250 - 51640	8	18	114650 - 01240	1	10	114651 - 11950	2	34	160710 - 78710	10	24
114250 - 51650	8	19	114650 - 01250	1	11	114651 - 53000	8	22	160725 - 78350	6	58
114250 - 53120	8	24	114650 - 01260	1	12	114651 - 59801	8	44	160842 - 21150	5	57
114250 - 53400	8	32	114650 - 01380	1	19	114651 - 66550	6	45	160842 - 21250	5	58
114250 - 55100	9	6	114650 - 01380	11	19	114652 - 59300	9	25	160842 - 21260	5	59
114250 - 55121	9	12	114650 - 01412	1	20	114652 - 59310	9	28	160910 - 76530	7	15
114250 - 55130	9	13	114650 - 01412	1	20	114658 - 13800	4	10	160910 - 76550	7	17
114250 - 55201	9	18	114650 - 02100	1	24	114660 - 01471	1	21	160910 - 76560	7	18
114250 - 55300	9	16	114650 - 02150	1	47	114660 - 21402	5	26	160910 - 76570	7	19
114250 - 59051	9	24	114650 - 02200	1	53	114660 - 76051	7	11	160910 - 76580	7	20
114250 - 66050	6	53	114650 - 02200	1	54	114660 - 76250	7	12	160910 - 76620	7	22
114250 - 66200	6	44	114650 - 11121	2	8	114660 - 76530	7	14	160910 - 76630	7	23
114250 - 66440	6	35	114650 - 11340	2	23	114660 - 76591	7	27	160910 - 76650	7	24
114250 - 66440	6	56	114650 - 11340	11	24	114662 - 21593	5	28	160970 - 77350	10	28
						114662 - 21601	5	31	183250 - 07230	11	3



## ALPHABETICAL INDEX OF PARTS NAME

All part of this Parts Catalog is arranged by alphabetical Part Name order(depending on the spot where the part is used).

If you want to know by Part Name where your object part is used, please use this Parts Catalog.





# PARTS NAME INDEX

	PARTS NAME	PARTS No.	Fig.	Ref No.		PARTS NAME	PARTS No.	Fig.	Ref No.	
A	ARM ASSY, EXHAUST	114651-11660	2	18	C	COVER, AIR CLEANER	114650-12520	3	4	
	ARM ASSY, INTAKE	114651-11650	2	14		COVER, INSPEC. WINDOW	114250-01830	1	36	
	ARMATURE	114381-77110	10	2		COVER, LUB. OIL PUMP	114250-32070	6	6	
B	BAG, TOOL	114250-92600	11	12	COVER, MUFFLER	114970-13710	4	6		
	BALL BEARING	114650-02150	1	47	COVER, REAR	114381-77140	10	6		
	BALL BEARING	24101-062034	5	55	COVER, STARTER	114350-01700	1	6		
	BALL BEARING	24101-063034	5	56	COVER, TERMINAL	X2114274200	10	18		
	BEARING, CRANKPIN	714650-23600	5	48	CRANKSHAFT ASY. (DGMO)	714657-21700	5	13		
	BEARING, MAIN	114650-02100	1	24	CRANKSHAFT ASY. (DGMO)	714658-21700	5	14		
	BEARING, PIN (U. S=0. 25)	714650-23610	5	60	CRANKSHAFT ASY. (DGMO)	714659-21700	5	15		
	BEARING, PIN (U. S=0. 50)	714650-23620	5	62	CYLINDER HEAD	114651-11020	2	1		
	BLOCK ASSY, CYLINDER	714970-01560	1	1	D	DAMPER, FUEL TANK	114250-55201	9	8	
	BODY, F. I. PUMP	114970-51100	8	4		DYNAMO ASSY	114351-78251	10	21	
	BOLT 7/16-20UNF	160842-21250	5	58	E	ELEMENT W/PRE-FILTER	114650-12590	3	6	
	BOLT M 6X 6	160260-01580	4	3		EXTENSION, EXH.	114658-13800	4	10	
	BOLT M 6X 37	114371-79070	10	17	F	F. W. LOCKING HANDLE	114250-92101	11	32	
	BOLT, ADJUSTING	102100-67080	6	57		FEEDER, OIL	28210-000150	11	16	
	BOLT, ADJUSTING	114250-66440	6	35		FILTER, FUEL	114250-55100	9	6	
	BOLT, ADJUSTING	114250-66440	6	56		FILTER, FUEL OIL	114250-55121	9	12	
	BOLT, FAN CASE	114370-45351	7	10		FLYWHEEL (D)	114660-21402	5	26	
	BOLT, LIFTING	114650-55810	9	18		FLYWHEEL (DEJ) W/GEAR	114662-21593	5	28	
	BOLT, ROD	105300-23200	5	47		G	GASKET	105546-51020	8	2
	BOLT, THROUGH	X2114680050	10	16			GASKET	114250-01841	1	37
	BONNET ASSY, HEAD	114651-11950	2	34	GASKET		114250-01841	11	22	
	BRACKET, PIPE	114650-59850	8	45	GASKET		114250-55130	9	13	
	BRACKET, REGULATOR	183250-66100	6	34	GASKET (NON-ASB.)		114650-13201	4	1	
	BRUSH (+)	114371-79050	10	9	GASKET (NON-ASB.)		114650-13201	11	29	
	BRUSH (-)	114371-79040	10	8	GASKET SET		714651-92600	11	17	
	BUSH, PISTON PIN	124060-23100	5	46	GASKET, AIR CLEANER		114650-12211	3	1	
	C	CAMSHAFT (D) ASSY	714689-14580	5	1		GASKET, AIR CLEANER	114650-12211	11	28
		CAP ASSY, TANK	114288-55040	9	3		GASKET, AIR INTAKE	114650-12301	3	13
		CAP, VALVE	104211-11370	2	24		GASKET, AIR INTAKE	114650-12301	11	27
		CAP, W/LUB. OIL GAUGE	114699-01760	1	27		GASKET, BONNET	114651-11310	2	33
		CASE (D) W/NO LABEL	114660-76530	7	14		GASKET, BONNET	114651-11310	11	26
		CASE, AIR CLEANER	114650-12530	3	5		GASKET, CRANK CASE	114650-01412	1	20
		CASE, FAN (SILVER) (17)	114668-45102	7	6		GASKET, CRANK CASE	114650-01412	11	20
CIRCLIP 23		129792-22400	5	42	GASKET, DELIVERY		124550-51350	8	16	
CLAMP		103854-55220	9	9	GASKET, NOZZLE		114771-11461	2	25	
CLAMP 9		124722-59050	9	26	GASKET, NOZZLE		114771-11461	11	25	
CLAMP 140		121750-59890	9	29	GASKET, CYL. HEAD CMP		114651-01330	1	13	
CLAMP, WIRE		160710-78710	10	24	GASKET, CYL. HEAD CMP		114651-01330	11	18	
CLEANER ASSY, AIR		714650-12560	3	2	GEAR, RING	114662-21601	5	31		
CLIP, HOSE		106990-44660	9	23	GOVERNOR ASSY	714685-61700	6	21		
COCK ASSY, FUEL		114250-55300	9	16	GROMMET	183720-55210	7	4		
COIL ASSY, FIELD		114381-77130	10	5	GUIDE, OIL SEAL	114668-92300	11	39		
COLLAR		114250-45310	7	8	H	HANDLE, REGULATOR	114250-66050	6	53	
COLLAR		114350-45340	7	3		HANDLE, REGULATOR	183250-66050	6	32	
COTTER ASSY		27310-070001	2	10		HOLDER ASSY	114775-53100	8	28	
COVER		114650-45201	7	1		HOLDER ASSY, BRUSH	114371-77160	10	7	
COVER (D), CRANK CASE		114660-01471	1	21		HOLDER, F. I. P. DELIVE	114250-51340	8	15	
COVER KIT, DUST		114371-77170	10	13		HOUSING ASSY, GEAR	114381-77150	10	12	
COVER (A), MUFFLER		114970-13700	4	5		I	INSTALLING TOOL	114650-92310	11	40

# PARTS NAME INDEX

	PARTS NAME	PARTS No.	Fig.	RefNo.		PARTS NAME	PARTS No.	Fig.	RefNo.
I	INSTALLING TOOL	114650-92350	11	41	P	PLATE, FRICTION	160910-76580	7	20
K	KEY 5X 14	22512-050140	5	32		PLUG M16	105425-01690	1	26
	KEY 6. 3X50	160842-21150	5	57		PLUG PT1/8, SCREW	23876-010000	1	39
	KNOB (W/M6X15)	160725-78350	6	58		PLUG, DRAIN	105300-55080	9	11
	KNOB, STARTER	160910-76620	7	22		PULLEY, STARTER	114660-76591	7	27
L	LABEL	114261-07350	11	7		PUMP ASSY, F. INJECT.	714970-51700	8	1
	LABEL, AIR COOLED	114250-07090	11	4		PUMP ASSY, LUB. OIL	114650-32010	6	1
	LABEL, CAUTION	114268-07240	11	6	R	RATCHET	160910-76530	7	15
	LABEL, HOW TO START	114268-07350	11	8		RECOIL ASSY	114660-76250	7	12
	LABEL, OPERATION	183250-07230	11	3		RECTIFIER	160970-77350	10	28
	LABEL, YANMAR	114250-07111	11	5		REEL, RECOIL	114650-76520	7	13
	LEAD	135210-61090	6	51		REMOVER, FLYWHEEL	114250-92130	11	33
	LEVER ASSY, CONTROL	114250-51600	8	17		RETAINER	114250-11901	2	28
	LEVER ASSY, GOVERNOR	714650-61500	6	14		RETAINER	114299-02030	1	46
	LEVER KIT, SHIFT	X2114560130	10	14		RETAINER, SPRING	119620-11180	2	9
M	MAIN BEARING US=0. 25	114650-02200	1	53		RETAINER, SPRING	119593-53130	8	25
	MAIN BEARING US=0. 50	114650-02210	1	54		RING SET, PISTON	714970-22500	5	35
	MUFFLER	114970-13560	4	4		ROD ASSY, CONNECTING	714650-23700	5	43
	MUFFLER ASSY	114970-13550	4	2		ROD, PUSH	114650-14401	5	8
N	NEEDLE BEARING	24162-152112	1	48		ROPE, STARTER	160910-76630	7	23
	NEEDLE BEARING FJ810	114270-61520	6	27		RUBBER, CUSHION	114250-45301	7	7
	NOZZLE ASSY	114651-53000	8	22		RUBBER, SEAL	114350-45320	7	2
	NUT 10	105025-01220	1	8	S	SCREW, VALVE ADJUST.	114250-11240	2	16
	NUT 10	114650-01250	1	11		SCREW, VALVE ADJUST.	114250-11240	2	20
	NUT M18	122710-01220	5	12		SCREWDRIVER	160330-92730	11	13
	NUT, NOZZLE CASE	119593-53080	8	23		SEAL, FAN CASE	114650-45330	7	9
O	O-RING	103338-32570	6	7		SEAL, OIL	114770-61600	6	28
	O-RING	103338-32570	11	30		SEAL, OIL	24423-355008	1	49
	O-RING	114299-01950	1	29		SEAL, OIL	24423-355008	1	50
	O-RING	114299-01950	11	21		SEAL, VALVE STEM	114650-11340	2	23
	O-RING	114650-01380	1	19		SEAL, VALVE STEM	114650-11340	11	24
	O-RING	114650-01380	11	19		SEAT (A), SPRING	114250-51640	8	18
	O-RING 1A S-15. 0	24341-000150	9	17		SEAT (B), SPRING	114250-51650	8	19
	O-RING 1A S-22. 4	24341-000224	6	12		SHAFT ASSY, BALANCER	714970-28511	5	50
	O-RING 1A S-22. 4	24341-000224	11	31		SHAFT ASSY, DECOMP.	114250-03591	2	36
P	PARALLEL PIN 3X16	22312-030160	2	41		SHAFT, HANDLE	183250-66070	6	33
	PARALLEL PIN 3X16	22312-030160	6	8		SHIM PACK	114250-53400	8	32
	PARALLEL PIN 8X12	114270-01600	1	40		SHIM SET	114250-01800	1	30
	PIN	114775-53210	8	27		SPACER, NOZZLE	114771-11470	2	26
	PIN	114775-53330	8	31		SPACER, VALVE STOP	114775-53140	8	26
	PIN 4X8, STRAIGHT	22312-040080	1	52		SPRING	104200-66820	6	36
	PIN, PISTON D=23	114699-22300	5	41		SPRING	114250-03640	2	39
	PINION ASSY	X2114455080	10	11		SPRING	114250-51160	8	10
	PIPE, AIR INTAKE	114699-12020	3	12		SPRING PIN 2X 6	22351-020006	8	20
	PIPE, FUEL INJECTION	114651-59801	8	44		SPRING PIN 3X 8	22351-030008	8	9
	PIPE, FUEL OIL	114250-59051	9	24		SPRING PIN 4X 8	22351-040008	2	29
	PIPE, FUEL RETURN	114652-59300	9	25		SPRING, BRUSH	114371-79060	10	10
	PIPE, GAUGE	114650-55150	9	7		SPRING, DELIV. VALVE	105546-51330	8	14
	PIPE, L. O. INLET	114250-35150	1	38		SPRING, FRICTION	160910-76560	7	18
	PISTON W/RINGS	714652-22720	5	33		SPRING, NOZZLE	114250-53120	8	24
	PLATE	114250-51080	8	3		SPRING, REGULATOR	114970-66010	6	43
	PLATE, FRICTION	104200-66830	6	37		SPRING, RETURN	114250-66200	6	44

MODEL : L100EE-D(E),D(E)G,D(E)P  
P/C No. : Y00R5160

# PARTS NAME INDEX

	PARTS NAME	PARTS No.	Fig.	RefNo.		PARTS NAME	PARTS No.	Fig.	RefNo.
S	SPRING, RETURN	160910-76570	7	19					
	SPRING, SPIRAL	114650-76540	7	16					
	SPRING, VALVE	114650-11121	2	8					
	STARTER (S114-414A)	114362-77011	10	1					
	STATER ASSY, RECOIL	114660-76051	7	11					
	STATOR ASSY	114351-78751	10	22					
	STAY	114299-55210	9	14					
	STAY (B), FUEL TANK	114699-55230	9	15					
	STAY, HANDLE	114299-66100	6	55					
	STAY, HANDLE	183250-66500	6	31					
	STOPPER SET, PINION	X2114715500	10	4					
	STRAINER, LUB OIL	114250-35110	6	10					
	STUD, CYL. HEAD	114650-01230	1	9					
	STUD, CYL. HEAD	114650-01240	1	10					
	SUPPORT CMP, ARM	114651-11250	2	12					
	SUPPORT, ROCKER ARM	114651-11260	2	13					
	SWITCH ASSY, MAGNET	X2114275010	10	15					
T	TANK ASSY, FUEL	714650-55130	9	1					
	TAPER PIN 3X20	22322-030200	6	19					
	TAPER PIN 3X20	22322-030200	6	20					
	TAPPET	114650-14200	5	6					
	TAPPET, F. O.	114771-14260	5	7					
	TORQUE SPRING ASSY	114651-66550	6	45					
	TUBE, PROTECT	114652-59310	9	28					
U	U-NUT	114250-12300	3	11					
V	VALVE	114288-55080	9	5					
	VALVE ASSY, DELIVERY	114650-51300	8	11					
	VALVE ASSY, F. INJECT	714651-53100	8	21					
	VALVE, EXHAUST	114651-11110	2	7					
	VALVE, SUCTION	114651-11100	2	6					
W	WASHER	114650-01260	1	12					
	WASHER	114650-11600	2	27					
	WASHER	114770-61190	6	30					
	WASHER	160842-21260	5	59					
	WASHER (B)	104200-66850	6	38					
	WASHER (B)	160910-76650	7	24					
	WASHER KIT, THRUST	X2114811000	10	3					
	WASHER M 8, SEAL	114252-12560	3	9					
	WASHER, FLYWHEEL	114650-21551	5	25					
	WASHER, THRUST	114770-61610	6	29					
	WASHER, THRUST	160910-76550	7	17					
	WHEEL, DYNAMO	114351-78761	10	23					
	WING-NUT, M 8	114252-12550	3	10					
	WIRE 0.6	22451-060000	6	52					
	WIRE, LEAD	183350-77400	10	30					
	WRENCH 10X12	28110-100120	11	14					
	WRENCH 14X17	28110-140170	11	15					
	TOTAL (ITEM=279) (REF.=307)								

